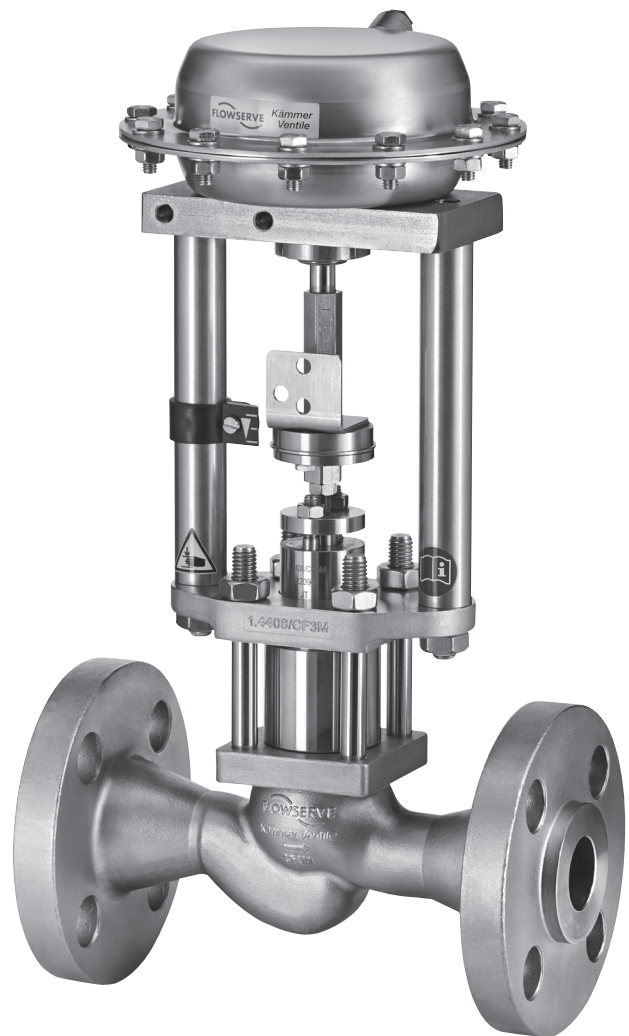




# TECHNICAL BULLETIN

## **Kämmer® SmallFlow™ - 385000 / 385000 SP** Severe Service Trim Options

FCD KMENTB5001-00 06/16

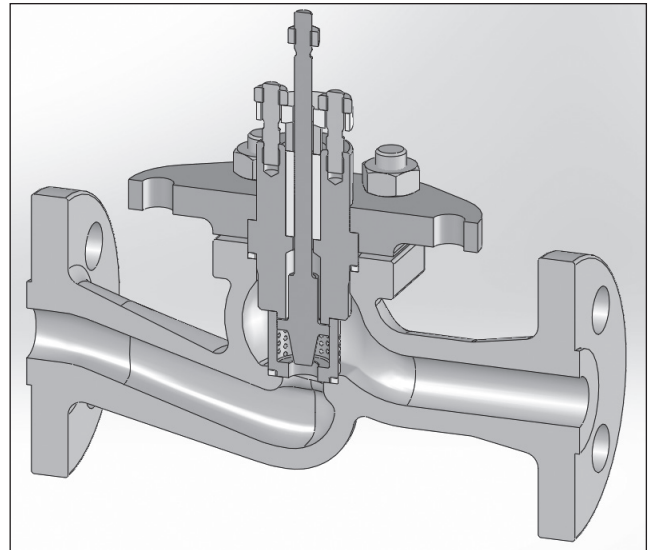
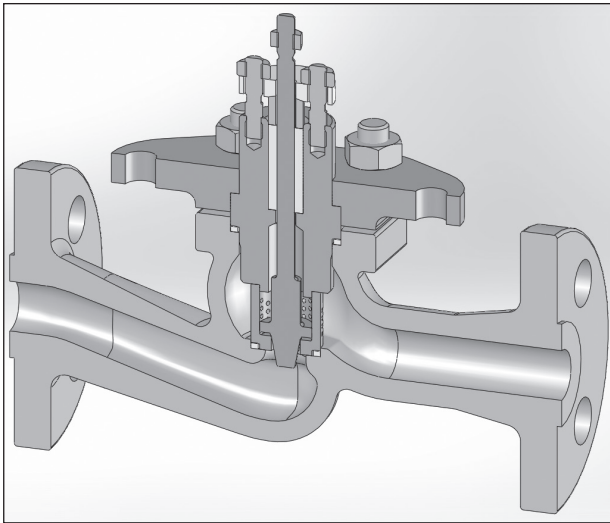


*Experience In Motion*

## SmallFlow Severe Service

The SmallFlow Series 385000 offers two versions of Severe Service trim options for high pressure drops for liquid services. Type III as a radial solution with a multihole cage and a cage guided parabolic plug. This trim is suitable for clean liquid cavitation services in a standard valve configuration with standard bonnet. The Z-Trim option is based on Multi-Z technology and offers an axial flow three stage design. This trim can be used in a regular 385000SP or in a standard 385000 with an additional extension to accommodate the three stage trim. This Z-Trim option is the same option than what is used for the 1/2" version of the Multi-Z

### Type III Trim



Seat diameter [mm / in]		Plug [Kvs / Cv]		Retainer diameter (i) [mm / in]		Retainer [Kvs / Cv]		Xf / Sigma		Total Trim [Kvs / Cv]		Materials	
												Plug	Seat Retainer
10	0,394	2,5	2,9	18	0,709	4,0	4,6	0,89	1,12	2,12	2,5	1.4122 (default)	1.4122 (default)
		1,6	1,8			2,5	2,9	0,89	1,12	1,35	1,6	Alloy 6	1.4548.4
		1,0	1,2			1,6	1,8	0,89	1,12	0,85	1,0		
		0,63	0,7			1,0	1,2	0,89	1,12	0,53	0,62		

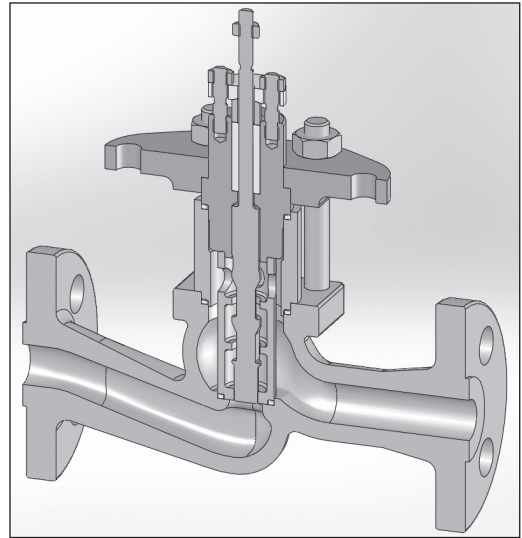
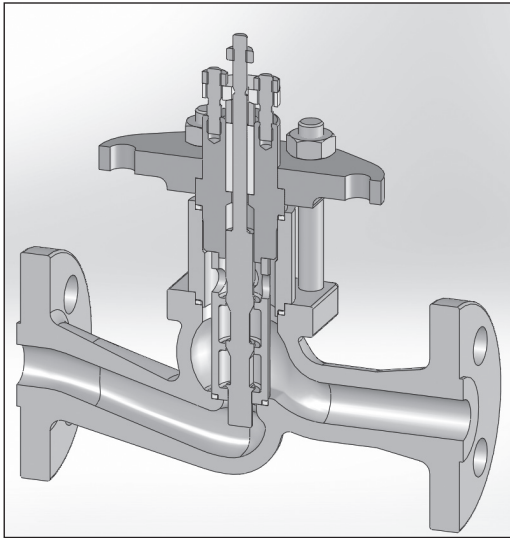


Multi-Hole retainer



Plug

**Z-Trim**



Seat diameter [mm / in]		Plug [Kv / Cv]		Min. controllable [Kv / Cv]		Characteristic	Stages	Xf / Sigma		Materials	
										Plug	Seat Liner
10	0,394	1,2	1,4	0,030	0,035	linear	3	0,95	1,0537	Alloy 6 (default)	1.4404 (default)
		0,7	0,81	0,030	0,035	linear		0,95	1,0537		
		1,0	1,2	0,030	0,035	equal percentage		0,95	1,0537	1.4571	



Liner



3-Stage Plug



**Europe, Middle East, Africa**

Flowserve Essen GmbH  
Schederhofstr. 71  
45145 Essen  
Germany  
Phone: +49 201 8919 5  
Fax: +49 201 8919 662

**Americas**

Flowserve Corporation  
Quick Response Center  
4001 Flowserve Way Suite 300  
Pasadena, TX 77503  
USA  
Phone: +1 281 479 9500  
Fax: +1 281 479 8511

**Asia Pacific**

Flowserve Pte. Ltd.  
12 Tuas Avenue 20  
Republic of Singapore 638824  
Phone: +65 6879 8900  
Fax: +65 6862 4940

Your contact:

A large dashed-line rectangular box intended for a contact name or address.

All data subject to change without notice  
©06.2016 Flowserve Corporation. Flowserve and Kämmer are registered trademarks of Flowserve Corporation