



## OPTIFLUX 2000 Technical Datasheet

### Electromagnetic flow sensor

- For all water and wastewater applications
- Wide range of approvals for potable water
- Robust, fully welded construction with full bore pipe



The documentation is only complete when used in combination with the relevant documentation for the signal converter.

<b>1</b>	<b>Product features</b>	<b>3</b>
1.1	Reliable solution for the water and wastewater industry .....	3
1.2	Options.....	5
1.3	Measuring principle.....	7
<b>2</b>	<b>Technical data</b>	<b>8</b>
2.1	Technical data.....	8
2.2	Legal metrology.....	16
2.2.1	OIML R49 .....	16
2.2.2	MID Annex III (MI-001).....	18
2.3	Measuring accuracy .....	20
2.4	Pressure derating.....	21
2.5	Vacuum load .....	23
2.6	Dimensions and weights .....	24
<b>3</b>	<b>Installation</b>	<b>30</b>
3.1	Intended use .....	30
3.2	General notes on installation .....	30
3.2.1	Vibrations .....	30
3.2.2	Magnetic field.....	30
3.3	Installation conditions .....	31
3.3.1	Inlet and outlet .....	31
3.3.2	Bends in 2 or 3 dimensions.....	31
3.3.3	Bends .....	32
3.3.4	T-section .....	33
3.3.5	Open discharge .....	33
3.3.6	Control valve .....	34
3.3.7	Pump .....	34
3.3.8	Air venting and vacuum forces .....	35
3.3.9	Flange deviation .....	36
3.3.10	Mounting position.....	36
3.4	Installation in a metering pit and subsurface applications .....	37
3.5	Mounting .....	38
3.5.1	Torques and pressures .....	38
<b>4</b>	<b>Electrical connections</b>	<b>42</b>
4.1	Safety instructions.....	42
4.2	Grounding .....	42
4.3	Virtual reference option .....	44
4.4	Connection diagrams .....	44
<b>5</b>	<b>Notes</b>	<b>45</b>

## 1.1 Reliable solution for the water and wastewater industry

The **OPTIFLUX 2000** is designed to meet the demands for all water and waste water applications including groundwater, potable water, waste water, sludge and sewage, industry water and salt water.

The OPTIFLUX 2000 has a field proven and unsurpassed lifetime. This is assured by the fully welded construction, full bore pipe, absence of moving parts and wear resistant liner materials. The flow sensor has the widest diameter range available in the market: from DN25 up to DN3000.



- ① Robust fully welded construction
- ② Diameter range: DN25...DN3000
- ③ Polypropylene and hard rubber liners

**Highlights**

- Rugged liners suitable for any water and wastewater application
- Proven and unsurpassed lifetime, huge installed base
- Tamper proof, fully welded construction, also available in customer specific constructions
- Drinking water approvals including KTW, KIWA, DVGW, ACS, NSF, WRAS
- Suitable for subsoil installation and constant flooding (IP68)
- Bi-directional flow metering
- Compliant with requirements for custody transfer (MID MI-001, OIML R49, ISO 4064, EN 14154)
- Standard in house wet calibration of flow sensors up to diameter DN3000
- Easy installation and commissioning
- No grounding rings with virtual reference option on IFC 300
- In-situ verification with OPTICHECK
- Extensive diagnostic capabilities
- Maintenance-free

**Industries**

- Water
- Wastewater
- Pulp & Paper
- Minerals & Mining
- Iron, Steel & Metals
- Power

**Applications**

- Water abstraction
- Water purification and desalination
- Drinking water distribution networks
- Revenue metering or billing
- Leakage detection
- Irrigation
- Industry water
- Cooling water
- Wastewater
- Sewage and sludge
- Sea water

## 1.2 Options

The reliable solution for the water and wastewater industry



### From standard to customized

For easy ordering the standard range of the OPTIFLUX 2000 covers all popular sizes, flange materials and connections (ASME, EN, JIS, AWWA). But KROHNE does not stop here. Our extensive engineering department is dedicated to provide solutions for all specifications not covered by our standard range. Requests for special sizes, flange connections, pressure ratings, building lengths, and materials, will always get a serious review. Whenever possible we will engineer a flow meter that fits your application.



### Easy installation

Fitting the OPTIFLUX 2000 is easy with the flanged design and standard ISO insertion lengths. To further ease the operation, the OPTIFLUX 2000 can be installed without filters and straighteners. Even grounding rings are not required with the patented "**Virtual Reference**" option on the IFC 300 signal converter



### IP68

Installation in measurement chambers subject to (constant) flooding is possible with the IP68 rated version. The chambers can even be completely surpassed if the IP68 version is combined with our special subsoil coating, allowing the OPTIFLUX 2000 to be installed directly in the ground.



**Custody transfer**

In combination with the IFC 300 signal converter the OPTIFLUX 2000 is suitable for custody transfer applications. It meets the requirements of OIML R49 and can be verified according to Annex MI-001 of the Measuring Instruments Directive (MID) / UK Regulation 2016.

All water meters for legal metrology purposes in Europe require certification under the MID. The EC type examination certificate for the OPTIFLUX 2000 is valid for the compact and the remote version and applies for forward and reverse flow.

### 1.3 Measuring principle

An electrically conductive fluid flows inside an electrically insulated pipe through a magnetic field. This magnetic field is generated by a current, flowing through a pair of field coils.

Inside of the fluid, a voltage  $U$  is generated:

$$U = v * k * B * D$$

in which:

$v$  = mean flow velocity

$k$  = factor correcting for geometry

$B$  = magnetic field strength

$D$  = inner diameter of flowmeter

The signal voltage  $U$  is picked off by electrodes and is proportional to the mean flow velocity  $v$  and thus the flow rate  $Q$ . A signal converter is used to amplify the signal voltage, filter it and convert it into signals for totalizing, recording and output processing.

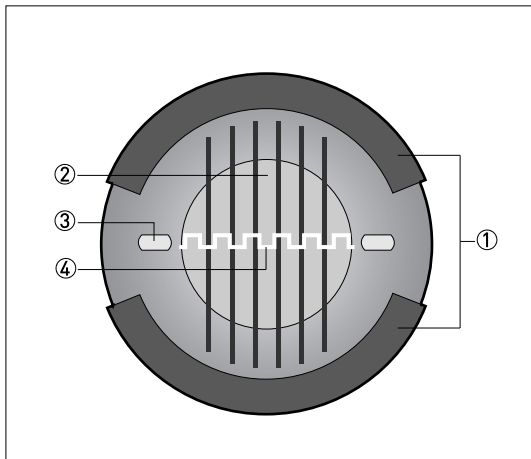


Figure 1-1: Measuring principle

- ① Field coils
- ② Magnetic field
- ③ Electrodes
- ④ Induced voltage (proportional to flow velocity)

## 2.1 Technical data

- *The following data is provided for general applications. If you require data that is more relevant to your specific application, please contact us or your local sales office.*
- *Additional information (certificates, special tools, software,...) and complete product documentation can be downloaded free of charge from the website (Downloadcenter).*

### Measuring system

Measuring principle	Faraday's law of induction
Application range	Electrically conductive fluids
<b>Measured value</b>	
Primary measured value	Flow velocity
Secondary measured value	Volume flow

### Design

Features	Fully welded maintenance-free flow sensor.
	Large diameter range DN25...3000
	Rugged liners approved for drinking water.
	Large standard range but also available in customer specific diameter, length and pressure rating.
Modular construction	The measurement system consists of a flow sensor and a signal converter. It is available as compact and as separate version. Additional information can be found in the documentation of the signal converter.
Compact version	With signal converter IFC 050: OPTIFLUX 2050 C
	With signal converter IFC 100: OPTIFLUX 2100 C
	With signal converter IFC 300: OPTIFLUX 2300 C
Remote version	In wall (W) mount version with signal converter IFC 050: OPTIFLUX 2050 W
	In wall (W) mount version with signal converter IFC 100: OPTIFLUX 2100 W
	In field (F), wall (W) or rack (R) mount version with signal converter IFC 300: OPTIFLUX 2300 F, W or R
Nominal diameter	With signal converter IFC 050: DN25...1200 / 1...48"
	With signal converter IFC 100: DN25...1200 / 1...48"
	With signal converter IFC 300: DN25...3000 / 1...120"



### Measuring accuracy

Maximum measuring error	IFC 050: down to 0.5% of the measured value $\pm$ 1 mm/s	
	IFC 100: down to 0.3% of the measured value $\pm$ 1 mm/s	
	IFC 300: down to 0.2% of the measured value $\pm$ 1 mm/s	
	The maximum measuring error depends on the installation conditions.	
	For detailed information refer to <i>Measuring accuracy</i> on page 20.	
Repeatability	$\pm$ 0.1% of the measured value, minimum 1 mm/s	
Calibration / Verification	<b>Standard:</b>	
	2 point calibration by a direct volume comparison.	
	<b>Optional:</b>	
	Verification to Measurement Instrument Directive (MID), Annex MI-001. Standard: Verification at Ratio (Q3/Q1) = 80, Q3 $\geq$ 2 m/s Optional: Verification at Ratio (Q3/Q1) > 80 on request (up to Ratio 400)	
	Only in combination with the signal converter IFC 300.	
MID Annex III (MI-001) (Directive 2014/32/EU / Regulation 2016 No. 1153)	<b>EC-Type examination certificate to MID Annex MI-001</b>	
	Only in combination with the signal converter IFC 300.	
	Diameter range: DN25...1800	
	Forward and reverse (bi-directional) flow	
	0DN / 0DN ( 0 x DN upstream and 0 x DN downstream)	
	Liquid temperature range: +0.1°C / +50°C	
For detailed information refer to <i>Legal metrology</i> on page 16.		
OIML R49	<b>Certificate of conformity to OIML R49</b>	
	Only in combination with the signal converter IFC 300.	
	Diameter range	Class 1: DN50...1800
		Class 2: DN25...40
	Forward and reverse (bi-directional) flow	
	0DN / 0DN ( 0 x DN upstream and 0 x DN downstream)	
	Liquid temperature range: +0.1°C / +50°C	
	For detailed information refer to <i>Legal metrology</i> on page 16.	

### Operating conditions

<b>Temperature</b>	
For detailed information in pressure / temperature refer to <i>Pressure derating</i> on page 21.	
For Ex versions different temperatures are valid. Please refer to the relevant Ex documentation for details.	
Process temperature	Hard rubber liner: -5...+80°C / +23...+176°F
	Polypropylene liner: -5...+90°C / +23...+194°F
Ambient temperature	<b>Standard</b> (with aluminum signal converter housing): standard flanges -20...+65°C / -4...+149°F
	<b>Option</b> (with aluminum signal converter housing): low temperature carbon steel flanges or stainless steel flanges -40...+65°C / -40...+149°F
	<b>Option</b> (with stainless steel signal converter housing): low temperature carbon steel flanges or stainless steel flanges -40...+55°C / -40...+130°F
	Protect electronics against self-heating at ambient temperatures above +55°C / +131°F.
Storage temperature	-50...+70°C / -58...+158°F
<b>Measuring range</b>	-12...+12 m/s / -40...+40 ft/s

<b>Pressure</b>	
For detailed information in pressure / temperature refer to <i>Pressure derating</i> on page 21.	
EN 1092-1	DN2200...3000: PN 2.5
	DN1200...2000: PN 6
	DN200...1000: PN 10
	DN65 and DN100...150: PN 16
	DN25...50 and DN80: PN 40
	Other pressures on request
ASME B16.5	1...24": 150 & 300 lb RF
	Other pressures on request
JIS	DN50...1000 / 2...40": 10 K
	DN25...40 / 1...1½": 20 K
	Other pressures on request
AWWA (class B or D FF)	<b>Option:</b>
	DN700...1000 / 28...40": ≤ 10 bar / 145 psi
	DN1200...2000 / 48...80": ≤ 6 bar / 87 psi
DIN	PN 16 - 6 bar rated; DN700...2000
	PN 10 - 6 bar rated; DN700...2000
	PN 6 - 2 bar rated; DN700...2000
Vacuum load	For detailed information refer to <i>Vacuum load</i> on page 23.
Pressure loss	Negligible
<b>Chemical properties</b>	
Physical condition	Electrically conductive liquids
Electrical conductivity	Standard: ≥ 5 μS/cm
	Demineralised water: ≥ 20 μS/cm
Permissible gas content (volume)	IFC 050: ≤ 3%
	IFC 100: ≤ 3%
	IFC 300: ≤ 5%
Permissible solid content (volume)	IFC 050: ≤ 10%
	IFC 100: ≤ 10%
	IFC 300: ≤ 70%

## Installation conditions

Installation	Assure that the flow sensor is always fully filled.
	For detailed information refer to <i>Installation</i> on page 30.
Flow direction	Forward and reverse
	Arrow on flow sensor indicates flow direction.
Inlet run	≥ 5 DN
Outlet run	≥ 2 DN
Dimensions and weights	For detailed information refer to <i>Dimensions and weights</i> on page 24.

## Materials

Flow sensor housing	Sheet steel
	Other materials on request
Measuring tube	Austenitic stainless steel
Flanges	Carbon steel
	Other materials on request
Liner	<b>Standard:</b>
	DN25...150 / 1...6": polypropylene
	DN200...3000 / 8...120": hard rubber
	<b>Option:</b>
	DN25...150 / 1...6": hard rubber
Protective coating	On exterior of the meter: flanges, housing, signal converter (compact version) and / or connection box (field version)
	Standard coating
	Option: subsoil coating, offshore coating
Connection box	Only for remote versions
	Standard: die-cast aluminum
	Option: stainless steel
Measuring electrodes	Standard: Hastelloy <sup>®</sup> C
	Option: stainless steel, titanium
	Other materials on request
Grounding rings	Standard: stainless steel
	Option: Hastelloy <sup>®</sup> C, titanium, tantalum
	Grounding rings can be omitted with virtual reference option for the signal converter IFC 300.
Reference electrode (optional)	Standard: Hastelloy <sup>®</sup> C
	Option: stainless steel, titanium
	Other materials on request

**Process connections**

<b>Flange</b>	
EN 1092-1	DN25...3000 in PN 2.5...40
ASME	1...24" in 150 & 300 lb RF
JIS	DN25...1000 in 10...20 K
AWWA	DN700...2000 in 6...10 bar
Design of gasket surface	RF
	Other sizes or pressure ratings on request

**Electrical connections**

For full detail refer to the relevant documentation of the signal converter.	
<b>Signal cable</b> (remote versions only)	
Type A (DS)	<b>In combination with the signal converter IFC 050, IFC 100 and IFC 300</b> Standard cable, double shielded. Max. length: 600 m / 1968 ft (depends on electrical conductivity and flow sensor)
Type B (BTS)	<b>Only in combination with the signal converter IFC 300</b> Optional cable, triple shielded. Max. length: 600 m / 1968 ft (depends on electrical conductivity and flow sensor)
I/O	For full details of I/O options, including data streams and protocols, see technical datasheet of the relevant signal converter.

## Approvals and certificates

<b>CE</b>	
This device fulfils the statutory requirements of the relevant directives. The manufacturer certifies successful testing of the product by applying the conformity mark on the device.	
	For more information on the directives, standards and the approved certifications, please refer to the declaration of conformity supplied with the device or downloadable from the manufacturer's website.
<b>Hazardous area</b>	
ATEX	Please check the relevant Ex documentation for details.
	OPTIFLUX 2000 F; FTZU 13 ATEX 0175 X
	II 2G Ex eb ia q IIC T5...T3 Gb (DN25...150); non-PFA
	II 2G Ex eb ia q IIC T6...T3 Gb (DN200...300)
	II 2G Ex eb ia IIC T6...T3 Gb (DN350...3000)
	II 2D Ex tb IIIC T85°C...T180°C Db (DN25...3000)
IECEX	OPTIFLUX 2000 F; IECEX FTZU 14.0001 X
	II 2G Ex eb ia q IIC T5...T3 Gb (DN25...150); non-PFA
	II 2G Ex eb ia q IIC T6...T3 Gb (DN200...300)
	II 2G Ex eb ia IIC T6...T3 Gb (DN350...3000)
	II 2D Ex tb IIIC T85°C...T180°C Db (DN25...3000)
NEPSI (China)	OPTIFLUX 2000 F; GYJ20.1342X
	Ex e ia q IIC T3-T5 Gb (DN25...150); non-PFA
	Ex e ia q IIC T3-T6 Gb (DN200...300)
	Ex e ia IIC T3-T6 Gb (DN350...3000)
	Ex tD A21 IP6X T85°C-T150°C Db (DN2.5...3000)
DNV (Brazil)	OPTIFLUX 2000 F; DNV 20.0072 X
	Ex eb ia q IIC T5...T3 Gb (DN25...150); non-PFA
	Ex eb ia q IIC T6...T3 Gb (DN200...300)
	Ex eb ia IIC T6...T3 Gb (DN350...3000)
	Ex tb IIIC T180°C Db; IP66/IP67 (DN25...3000)
FM (USA)	OPTIFLUX 2000-DIV2; FM 17 US 0301X; (with IFC 100 W signal converter)
	OPTIFLUX 2000-DIV2; FM 16 US 0329X; (with IFC 300 F signal converter)
	Class I, Division 2; Groups ABCD; T6
	Class II, Division 2; Groups FG
FM, CSA (Canada)	Class III, Division 2; T6...T3
	OPTIFLUX 2000-DIV2; FM 17 CA 0153X; (with IFC 100 W converter)
	Class I, Division 2; Groups ABCD
	Class II, Division 2; Groups FG
	Class III, Division 2; T6...T3
	OPTIFLUX 2000-DIV2; CSA 1665151; (with IFC 300 F converter)
	Class I, Division 2; Groups ABCD
Class II, Division 2; Groups FG; T6	
KCS Korea)	OPTIFLUX 2000
	14-AV4B0-0743X : Ex qe ia IIC T3...T6 (DN25...150); non-PFA
	14-AV4B0-0743X : Ex qe ia IIC T3...T6 (DN200...300)
	14-AV4B0-0741X : Ex e ia IIC T3...T6 (DN350...3000)

Other approvals and standards	
Custody transfer	Only in combination with the signal converter IFC 300.
	MID Annex MI-001 type examination certificate
	OIML R49 certificate of conformity
	Conformity with ISO 4064 and EN 14154
Drinking water approvals	Hard rubber liner: NSF / ANSI standard 61 / ACS, KTW(<60°C), DVGW-W270, WRAS, KIWA .
	Polypropylene liner: ACS, KIWA/ATA, KTW, NSF / ANSI standard 61, WRAS, DVGW-W270, DM 174
Protection category acc. to IEC 60529	<b>Standard:</b>
	IP66/67, NEMA 4/4X/6
	<b>Option:</b>
	IP68, NEMA 6P IP68 is only available for separate design and with a stainless steel connection box.
Protective coating	Standard; ISO 12944-2:; C3 medium / C4 high Off shore coating; ISO 12944-2: C5I high / C5M high
Random vibration test	IEC 60068-2-64: 20...2000 Hz, ASD 1.0 (m/s <sup>2</sup> ) 2/Hz, RMS a = 4.5 g
	IEC 60068-2-64 / IEC 60721-3-4 Class 4M11: 5...200 Hz, ASD 0.01 (m/s <sup>2</sup> ) 2/Hz
Sinus vibration test	IEC 60068-2-6 / IEC 61298-3
	10...58 Hz: 0.15 mm / 58...1000 Hz, a = 2 g
Shock test	IEC 60068-2-27 / IEC 60721-3-4
	Half sine wave, Class 4M12, 2 g, pulse duration 6 ms

## 2.2 Legal metrology

OIML R49 and MID Annex MI-001 is **only** available in combination with the IFC 300 signal converter!

### 2.2.1 OIML R49

The OPTIFLUX 2300 has a certificate of conformity with the international recommendation OIML R49-1. The certificate has been issued by NMI (Dutch board of weight and measures).

The OIML R49 -1 concerns water meters intended for the metering of cold potable and hot water. The measuring range of the flowmeter is determined by Q3 (nominal flow rate) and R (ratio).

The OPTIFLUX 2300 meets the requirements for water meters of accuracy class 1 and 2.

The following accuracy can be met in all installation orientations (horizontal, vertical or diagonal) and with flow profile sensitivity class 0DN / 0DN (0 x DN upstream and 0 x DN downstream).

- For accuracy class 1, the maximum permissible error for water meters is ± 1% for the upper flow rate zone and ± 3% for the lower flow rate zones.
- For accuracy class 2, the maximum permissible error for water meters is ± 2% for the upper flow rate zone and ± 5% for the lower flow rate zones.

$$Q1 = Q3 / R$$

$$Q2 = Q1 * 1.6$$

$$Q3 = Q1 * R$$

$$Q4 = Q3 * 1.25$$

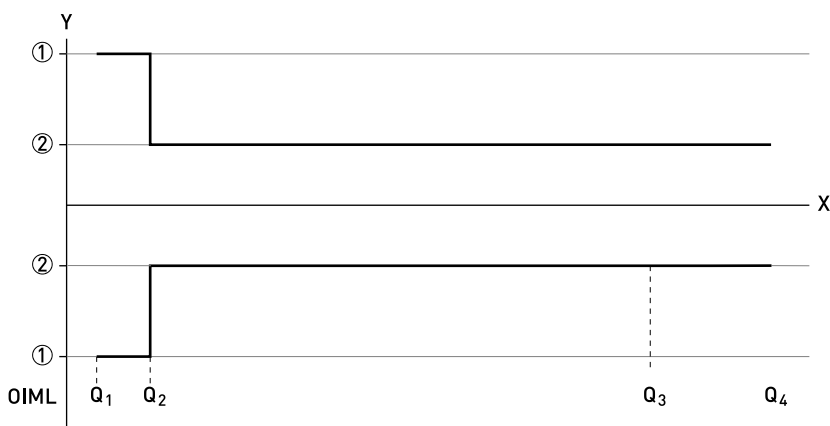


Figure 2-1: ISO flow rates added to figure as comparison towards OIML

X: Flow rate

Y [%]: Maximum measuring error

① ± 3% for class 1, ± 5% for class 2 devices

② ± 1% for class 1, ± 2% for class 2 devices



## OIML R49 Class 1

DN	Span (R)	Flow rate [m <sup>3</sup> /h]			
		Minimum Q1	Transitional Q2	Permanent Q3	Overload Q4
50	400	0.10	0.16	40	50
65	630	0.1587	0.254	100	125
80	630	0.254	0.4063	160	200
100	630	0.3968	0.6349	250	312.5
125	630	0.6349	1.0159	400	500
150	630	0.6349	1.0159	400	500
200	1000	1.0	1.6	1000	1250
250	1000	1.6	2.56	1600	2000
300	1000	2.5	4.0	2500	3125
350	500	5.0	8.0	2500	3125
400	500	8.0	12.8	4000	5000
450	500	8.0	12.8	4000	5000
500	500	12.6	20.16	6300	7875
600	160	39.375	63	6300	7875
700	80	125	200	10000	12500
800	80	125	200	10000	12500
900	80	200	320	16000	20000
1000	80	200	320	16000	20000
1100	80	200	320	16000	20000
1200	80	200	320	16000	20000
1300	80	312.5	500	25000	31250
1400	80	312.5	500	25000	31250
1500	80	312.5	500	25000	31250
1600	80	312.5	500	25000	31250
1800	50	500	800	25000	31250

## OIML R49 Class 2

DN	Span (R)	Flow rate [m <sup>3</sup> /h]			
		Minimum Q1	Transitional Q2	Permanent Q3	Overload Q4
25	400	0.040	0.064	16	20
32	400	0.0625	0.10	25	31.25
40	400	0.0625	0.10	25	31.25

Standard factory Span (R) =80. Other Span up to Ratio = 400 on request.

### 2.2.2 MID Annex III (MI-001)

All new designs of water meters that are to be used for legal purposes in Europe require certification under the Measurement Instrument Directive (MID) 2014/32/EU / UK Regulation 2016 No. 1153 Annex III (MI-001).

Annex MI-001 of the MID applies to water meters intended for the measurement of volume of clean, cold or heated water in residential, commercial and light industrial use. An EC-type examination certificate is valid in all countries of the European Union.

The OPTIFLUX 2300 has a type examination certificate and can be verified to the MID Annex III (MI-001) for water meters with diameter DN25...DN1800.

The conformity assessment procedure followed for OPTIFLUX 2300 is Module B (Type Examination) and Module D (Quality Assurance of the Production Process).

The following accuracy can be met in all installation orientations (horizontal, vertical or diagonal) and with flow profile sensitivity class 0DN / 0DN (0 x DN upstream and 0 x DN downstream).

- The maximum permissible error on volumes delivered between Q2 (transitional) flow rate and Q4 (overload) flow rate is  $\pm 2\%$ .
- The maximum permissible error on volumes delivered between Q1 (minimum) flow rate and Q2 (transitional) flow rate is  $\pm 5\%$ .

$$Q1 = Q3 / R$$

$$Q2 = Q1 * 1.6$$

$$Q3 = Q1 * R$$

$$Q4 = Q3 * 1.25$$

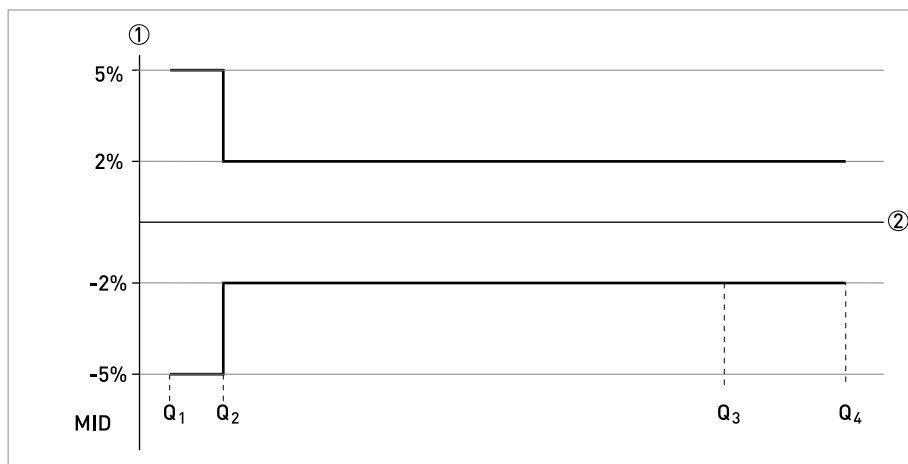


Figure 2-2: ISO flow rates added to figure as comparison towards MID

X: Flow rate

Y [%]: Maximum measuring error

## MI-001 certified flow characteristics

DN	Span (R) Q3 / Q1	Flow rate [m <sup>3</sup> /h]			
		Minimum Q1	Transitional Q2	Permanent Q3	Overload Q4
25	400	0.04	0.064	16	20
32	400	0.0625	0.10	25	31.25
40	400	0.0625	0.10	25	31.25
50	400	0.10	0.16	40	50
65	625	0.1587	0.254	100	125
80	640	0.254	0.4063	160	200
100	625	0.3968	0.6349	250	312.5
125	667	0.6349	1.0159	400	500
150	667	0.6349	1.0159	400	500
200	1000	1.0	1.6	1000	1250
250	1000	1.6	2.56	1600	2000
300	1000	2.5	4.0	2500	3125
350	500	5.0	8.0	2500	3125
400	500	8.0	12.8	4000	5000
450	500	8.0	12.8	4000	5000
500	500	12.6	20.16	6300	7875
600	160	39.375	63	6300	7875
700	80	125	200	10000	12500
800	80	125	200	10000	12500
900	80	200	320	16000	20000
1000	80	200	320	16000	20000
1100	80	200	320	16000	20000
1200	80	200	320	16000	20000
1300	80	312.5	500	25000	31250
1400	80	312.5	500	25000	31250
1500	80	312.5	500	25000	31250
1600	80	312.5	500	25000	31250
1800	59	500	800	25000	31250

### 2.3 Measuring accuracy

Every electromagnetic flowmeter is calibrated by direct volume comparison. The wet calibration validates the performance of the flowmeter under reference conditions against accuracy limits.

The accuracy limits of electromagnetic flowmeters are typically the result of the combined effect of linearity, zero point stability and calibration uncertainty.

#### Reference conditions

- Medium: water
- Temperature: +5...+35°C / +41...+95°F
- Operating pressure: 0,1...5 barg / 1,5...72,5 psig
- Inlet section: ≥ 5 DN
- Outlet section: ≥ 2 DN

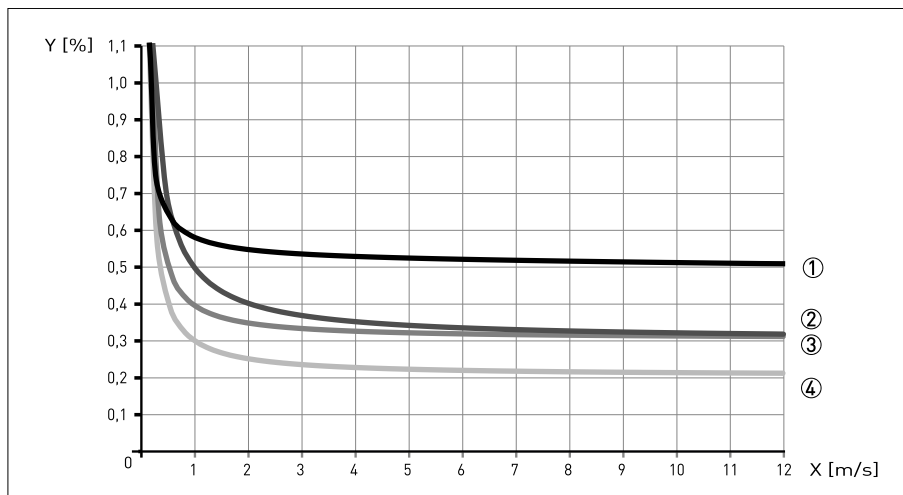


Figure 2-3: Flow velocity vs. accuracy  
 X [m/s] : flow velocity  
 Y [%]: deviation from the actual measured value (mv)

#### Accuracy

Flow sensor diameter	Signal converter type	Accuracy	Curve
DN25...1200 / 1...48"	IFC 050	0.5% of mv + 1 mm/s	①
DN25...1200 / 1...48"	IFC 100	0.3% of mv + 1 mm/s	③
DN25...1600 / 1...64"	IFC 300	0.2% of mv + 1 mm/s	④
DN1800...3000 / > 64"	IFC 300	0.3% of mv + 2 mm/s	②

*Optionally for IFC 050 and IFC 100; extended calibration at 2 points for optimised accuracy. For more details on optimised accuracy, see the concerning signal converter documentation.*

## 2.4 Pressure derating

The graphs below refer to the maximum pressure as a function of the temperature for the flanges of the flowmeter (per specified flange material).

Please note that the specified values only refer to the flanges. The maximum value for the flowmeter can further be limited by the maximum value for other materials (i.e. the liner)

For A = Carbon steel A 105 & B = Stainless steel 316L

X/Y axes in all graphs; X = Temperature in [°C] / Y = Pressure in [bar]  
x/y axes in all graphs; x = Temperature in [°F] / y = Pressure in [psi]

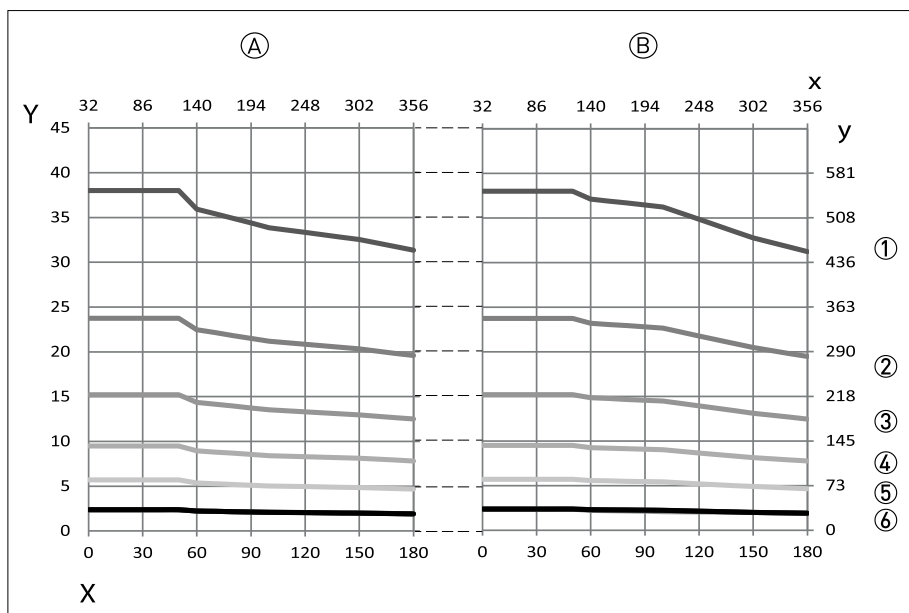


Figure 2-4: Pressure derating; EN 1092-1

- ① PN 40
- ② PN 25
- ③ PN 16
- ④ PN 10
- ⑤ PN 6
- ⑥ PN 2.5

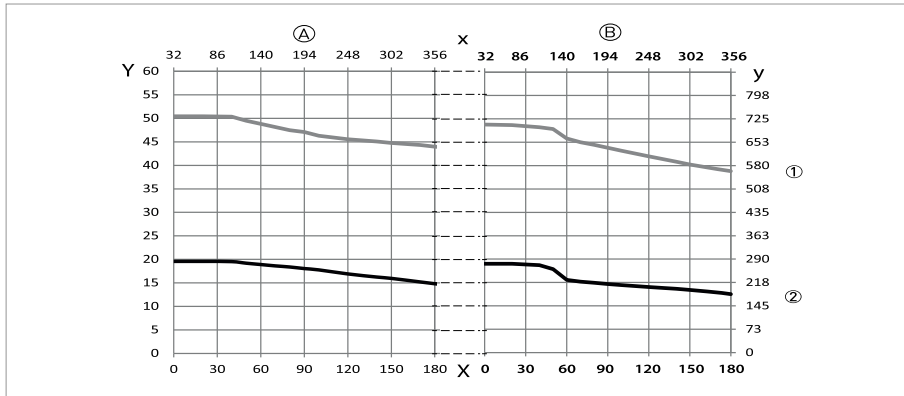


Figure 2-5: Pressure derating; ANSI B16.5

- ① 300 lbs
- ② 150 lbs

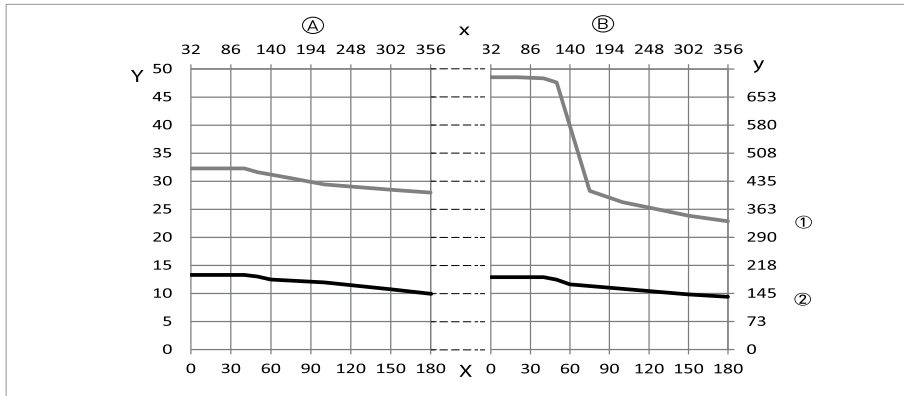


Figure 2-6: Pressure derating; JIS B2220

- ① 20K
- ② 10K

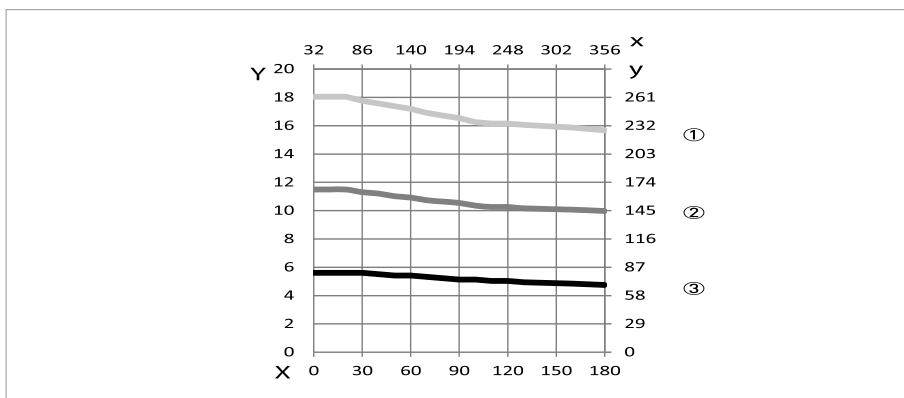


Figure 2-7: Pressure derating; AWWA C207

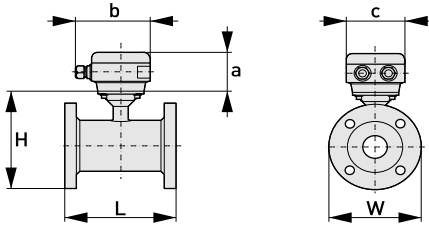
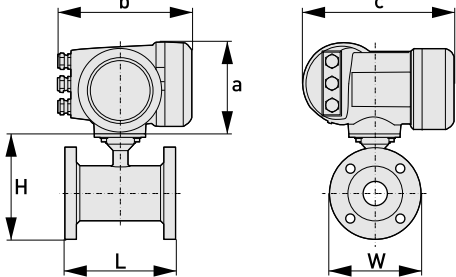
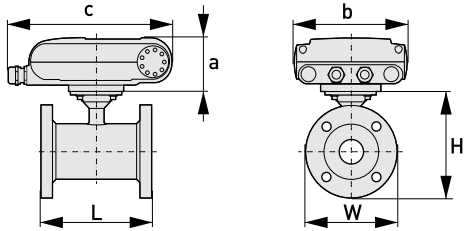
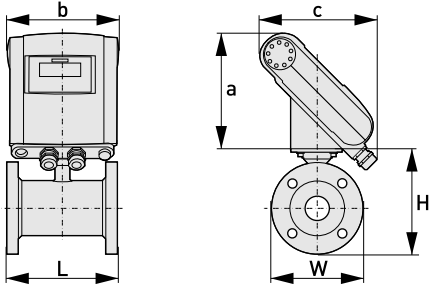
- ① Class D1 [4...12"]
- ② Class D2 [>12"]
- ③ Class B

## 2.5 Vacuum load

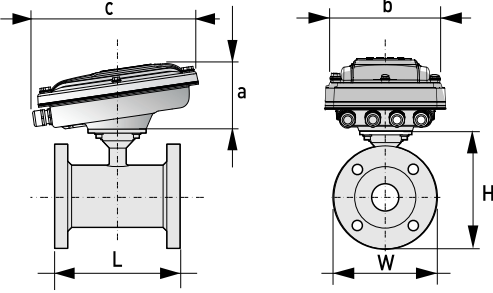
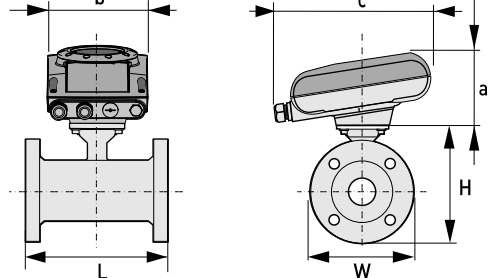
Diameter	Vacuum load in mbar abs. at a process temperature of			
[mm]	20°C	40°C	60°C	80°C
<b>Hard rubber</b>				
DN200...300	250	250	400	400
DN350...1000	500	500	600	600
DN1200...3000	600	600	750	750
<b>Polypropylene</b>				
DN25...150	250	250	400	400

Diameter	Vacuum load in psia at process temperature of			
[inch]	68°F	104°F	140°F	176°F
<b>Hard rubber</b>				
8...12	3.6	3.6	5.8	5.8
14...40	7.3	7.3	8.7	8.7
48...120	8.7	8.7	10.9	10.9
<b>Polypropylene</b>				
1...6	3.6	3.6	5.8	5.8

2.6 Dimensions and weights

<p>Remote version</p>		<p>a = 88 mm / 3.5"</p> <p>b = 139 mm / 5.5" ①</p> <p>c = 106 mm / 4.2"</p> <p>Total height = H + a</p>
<p>Compact version with: IFC 300</p>		<p>a = 155 mm / 6.1"</p> <p>b = 230 mm / 9.1" ①</p> <p>c = 260 mm / 10.2"</p> <p>Total height = H + a</p>
<p>Compact version with: IFC 100 (0°)</p>		<p>a = 82 mm / 3.2"</p> <p>b = 161 mm / 6.3"</p> <p>c = 257 mm / 10.1" ①</p> <p>Total height = H + a</p>
<p>Compact version with: IFC 100 (45°)</p>		<p>a = 186 mm / 7.3"</p> <p>b = 161 mm / 6.3"</p> <p>c = 184 mm / 7.3" ①</p> <p>Total height = H + a</p>



<b>Compact version with: stainless steel IFC 100 (10°)</b>		a = 100 mm / 4" b = 187 mm / 7.36" ① c = 270 mm / 10.63" Total height = H + a
<b>Compact version with: IFC 050 (10°)</b>		a = 101 mm / 3.98" b = 157 mm / 6.18" c = 260 mm / 10.24" ① Total height = H + a

① The value may vary depending on the used cable glands.

- All data given in the following tables are based on standard versions of the flow sensor only.
- Especially for smaller nominal sizes of the flow sensor, the signal converter can be bigger than the flow sensor.
- Note that for other pressure ratings than mentioned, the dimensions may be different.
- For full information on signal converter dimensions see relevant documentation.

## EN 1092-1

Nominal size DN [mm]	Dimensions [mm]				Approx. weight [kg]
	Standard length	ISO Insertion length	H	W	
25	150	200	140	115	5
32	150	200	157	140	6
40	150	200	166	150	7
50	200	200	186	165	11
65	200	200	200	185	9
80	200	200	209	200	14
100	250	250	237	220	15
125	250	250	266	250	19
150	300	300	300	285	27
200	350	350	361	340	34
250	400	450	408	395	48
300	500	500	458	445	58
350	500	550	510	505	78
400	600	600	568	565	101
450	600	-	618	615	111
500	600	-	671	670	130
600	600	-	781	780	165
700	700	-	898	895	248
800	800	-	1012	1015	331
900	900	-	1114	1115	430
1000	1000	-	1225	1230	507
1200	1200	-	1417	1405	555
1400	1400	-	1619	1630	765
1600	1600	-	1819	1830	1035
1800	1800	-	2027	2045	1470
2000	2000	-	2259	2265	1860

## ASME B16.5 / 150 lb flanges

Nominal size [inch]	Dimensions [inch]			Approx. weight [lb]
	L	H	W	
1"	5.91	5.39	4.25	9
1¼"	5.91	5.75	4.63	13
1½"	5.91	6.10	5.00	15
2"	7.87	7.05	5.98	18
2½"	7.87	7.72	7	22
3"	7.87	8.03	7.50	26
4"	9.84	9.49	9.00	44
5"	9.84	10.55	10.00	49
6"	11.81	11.69	11.00	64
8"	13.78	14.25	13.50	95
10"	15.75	16.30	16.00	143
12"	19.69	18.78	19.00	207
14"	27.56	20.67	21.00	284
16"	31.50	22.95	23.50	364
18"	31.50	24.72	25.00	410
20"	31.50	26.97	27.50	492
24"	31.50	31.38	32.00	675

## ASME B16.5 / 300 lb flanges

Nominal size [inch]	Dimensions [inch]			Approx. weight [lb]
	L	H	W	
1"	5.91	5.71	4.87	11
1¼"	7.87	6.30	5.25	17
1½"	7.87	6.65	6.13	20
2"	9.84	7.32	6.50	22
2½"	9.84	7.95	7.5	25
3"	9.84	8.43	8.25	31
4"	11.81	10.00	10.00	44
6"	12.60	12.44	12.50	73
8"	15.75	15.04	15.00	157
10"	19.69	17.05	17.50	247
12"	23.62	20.00	20.50	375
14"	27.56	21.65	23.00	474
16"	31.50	23.98	25.50	639
20"	31.50	28.46	30.50	937
24"	31.50	33.39	36.00	1345

## AWWA (D), class D, FF flanges

Nominal size		Dimensions (approximately) ①			Approx. weight [kg]
DN	[inch]	L [mm]	H	W [mm]	
400	18"	600	600	635	120
600	24"	800	810-	813	210
650	26"	700	865	870	270
700	28"	700	914	927	290
750	30"	750	971	984	340
800	32"	800	1035	1060	420
900	36"	900	1160	1168	540
1000	40"	1000	1254	1289	680
1050	42"	1100	1314	1346	720
1100	44"	1100	1366	1403	810
1200	48"	1200	1470	1511	940
1300	52"	1300	1608	1626	1175
1350	54"	1400	1641	1683	1310
1500	60"	1500	1793	1854	1580
1700	66"	1800	2023	2032	2250
1800	72"	1800	2106	2197	2550
1950	78"	2000	2243	2362	3200
2400	96"	2400	2688	2877	5450

Table 2-1: Dimensions in [mm], ① Exact dimensions on request

## AWWA (D), class D, FF flanges

Nominal size		Dimensions (approximately) ①			Approx. weight [lb]
DN	[inch]	L [inch]	H	W [inch]	
400	18"	23.6	23.6	25.0	265
600	24"	31.5	31.9	32.0	463
650	26"	27.6	34.1	34.3	595
700	28"	27.6	36	36.5	639
750	30"	29.5	38.2	38.7	750
800	32"	31.5	40.7	41.7	926
900	36"	35.4	45.7	46.0	1191
1000	40"	39.4	49.4	50.7	1499
1050	42"	43.3	51.7	53.0	1588
1100	44"	43.3	53.8	55.2	1786
1200	48"	47.2	57.9	59.5	2073
1300	52"	51.2	62.9	64.0	2591
1350	54"	55.1	64.6	66.3	2889
1500	60"	59.1	70.6	73.0	3484
1700	66"	70.9	79.6	80.0	4961
1800	72"	70.9	82.9	86.5	5623
1950	78"	78.7	88.3	93.0	7056
2400	96"	94.5	105.8	113.3	12017

Table 2-2: Dimensions in inch, ① Exact dimensions on request

### 3.1 Intended use

*Responsibility for the use of the measuring devices with regard to suitability, intended use and corrosion resistance of the used materials against the measured fluid lies solely with the operator.*

*The manufacturer is not liable for any damage resulting from improper use or use for other than the intended purpose.*

The OPTIFLUX 2000 electromagnetic flowmeter is designed exclusively to measure the flow of electrically conductive, liquid media.

### 3.2 General notes on installation

*Inspect the packaging carefully for damages or signs of rough handling. Report damage to the carrier and to the local office of the manufacturer.*

*Do a check of the packing list to make sure that you have all the elements given in the order.*

*Look at the device nameplate to ensure that the device is delivered according to your order. Check for the correct supply voltage printed on the nameplate.*

#### 3.2.1 Vibrations

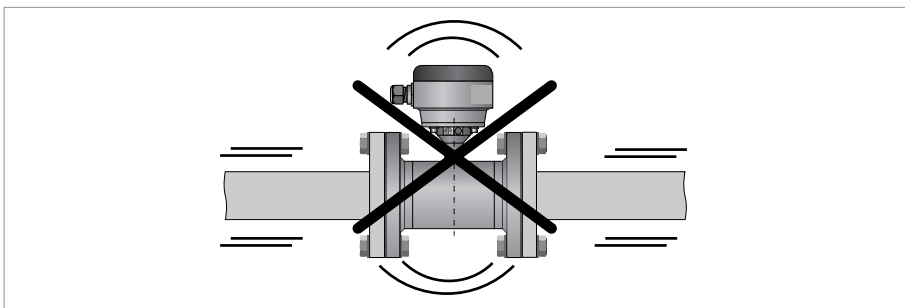


Figure 3-1: Avoid vibrations

#### 3.2.2 Magnetic field

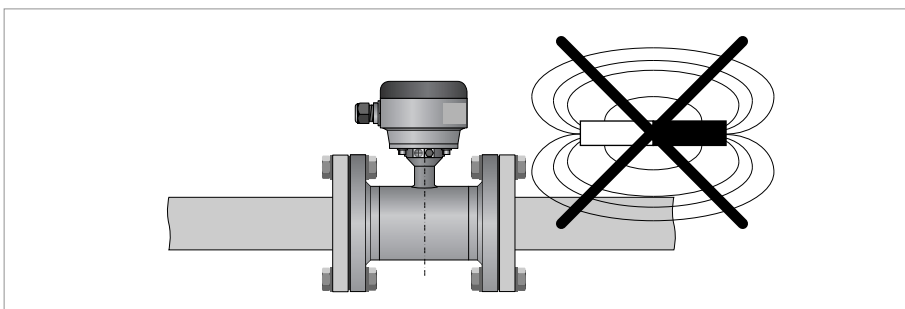


Figure 3-2: Avoid magnetic field

*Keep at least 5 DN distance between electromagnetic flow sensors.*

### 3.3 Installation conditions

For the highest measuring accuracy, respect the recommended inlet and outlet lengths in the following paragraphs.

The sensor tube in combination with the IFC 300 signal converter, can be installed in a 0D/0D configuration (no inlet and no outlet length). For installation conditions and accuracies see section OIML and MID in this manual and the OIML R49 /MID MI-001 certificates at the manufacturer's website.

#### 3.3.1 Inlet and outlet

Use straight inlet and outlet pipe sections to prevent flow distortion or swirl, caused by bends and T- sections.

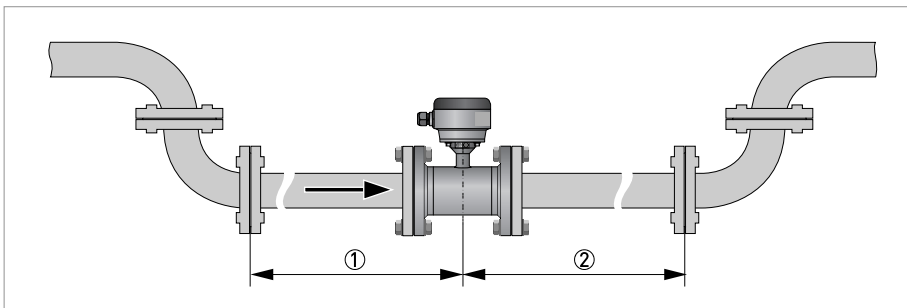


Figure 3-3: Recommended inlet and outlet section

- ① Refer to chapter "Bends in 2 or 3 dimensions"
- ②  $\geq 2$  DN

#### 3.3.2 Bends in 2 or 3 dimensions

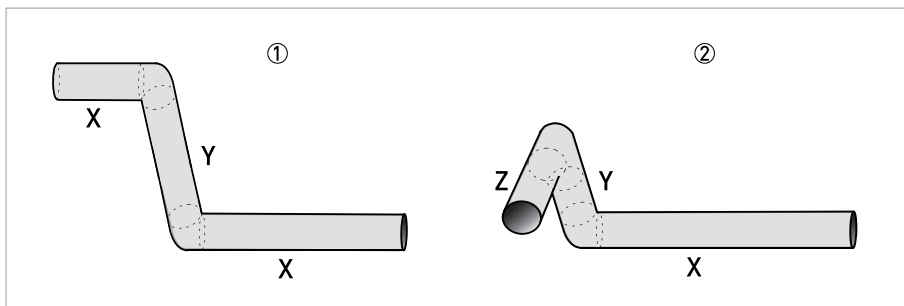


Figure 3-4: 2 and/or 3 dimensional bends upstream of the flowmeter

- ① 2 dimensions = X/Y
  - ② 3 dimensions = X/Y/Z
- Inlet length: using bends in 2 dimensions:  $\geq 5$  DN; when having bends in 3 dimensions:  $\geq 10$  DN

*2 dimensional bends occur in a vertical **or** horizontal plane (X/Y) only, while 3 dimensional bends occur in both vertical **and** horizontal plane (X/Y/Z).*

## 3.3.3 Bends

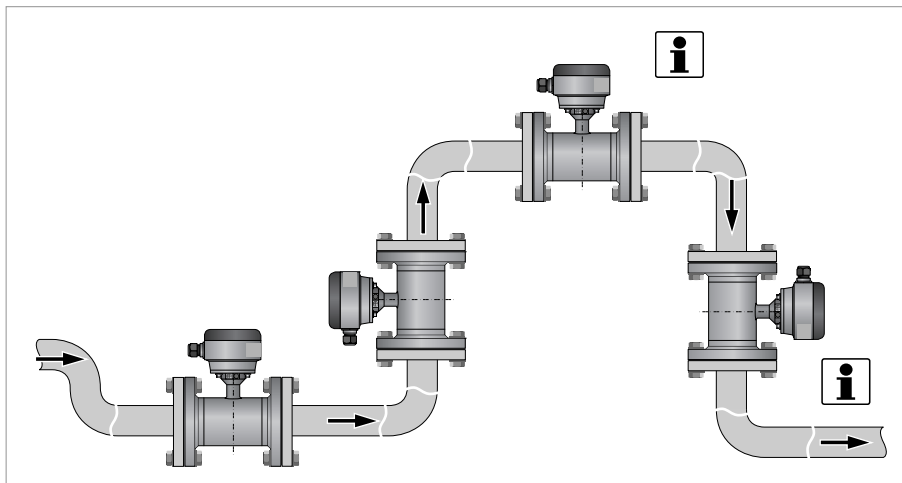


Figure 3-5: Installation in bending pipes (90°)

**NOTE!**

Recommended installation positions are at a lowered or ascending section of the pipeline installation. Installation at the highest point will enlarge the risk of flowmeter malfunction, because of air/gas bubbles.

Vertical installation in combination with an open discharge has to be avoided.

Vertical installation with a controlled back-pressure is possible.

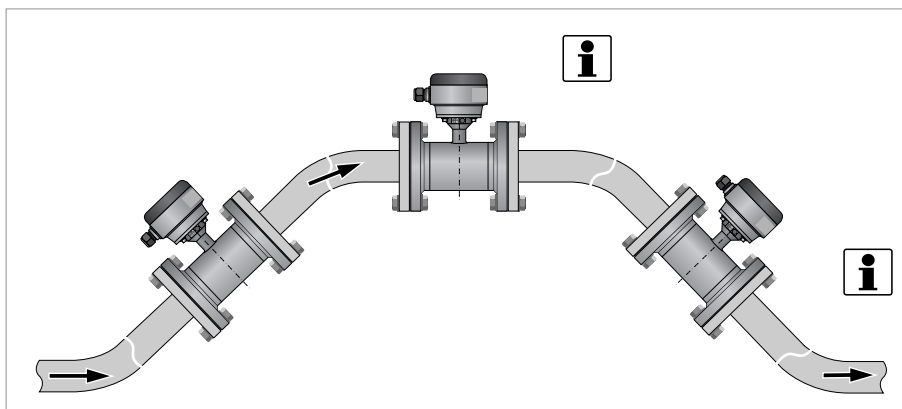


Figure 3-6: Installation in bending pipes (45°)

Avoid draining or partial filling of the flow sensor.

**NOTE!**

Vertical installation on a descending slope in the pipeline is only recommended when the back-pressure is controlled.



### 3.3.4 T-section

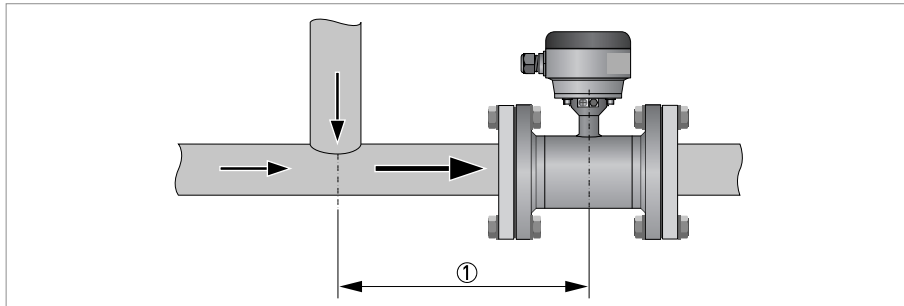


Figure 3-7: Distance behind a T-section

①  $\geq 10$  DN

### 3.3.5 Open discharge

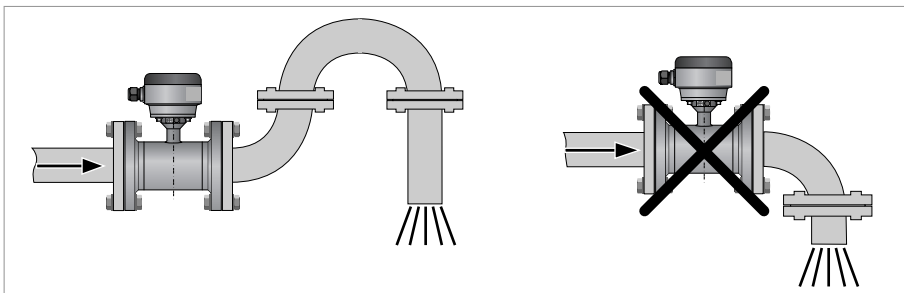


Figure 3-8: Installation in front of an open discharge

## 3.3.6 Control valve

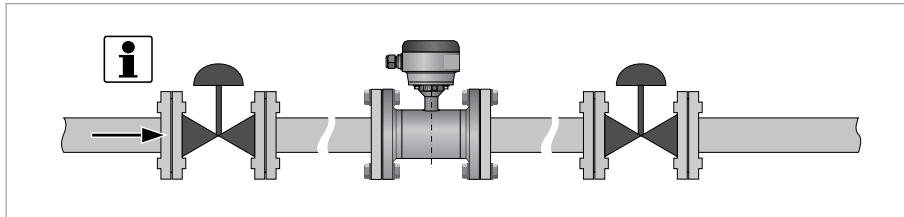


Figure 3-9: Installation in front of a control valve

**NOTE!**

*Recommended position to install a flowmeter is upstream a control valve.*

*An electromagnetic flowmeter can be installed downstream of the control valve if there is no cavitation in the pipeline system (e.g. flow profile disturbances are resolved).*

## 3.3.7 Pump

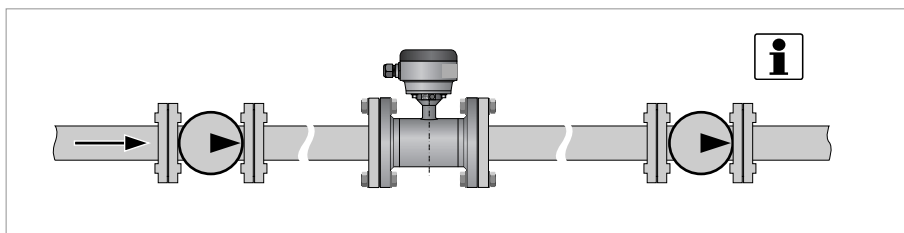


Figure 3-10: Installation behind a pump

**NOTE!**

*Recommended position to install a flowmeter is downstream a pump (on a position where the flow disturbances of the pump are resolved).*

*An electromagnetic flowmeter can be installed in the suction line of a pump if there is no cavitation in the pipeline system.*

### 3.3.8 Air venting and vacuum forces

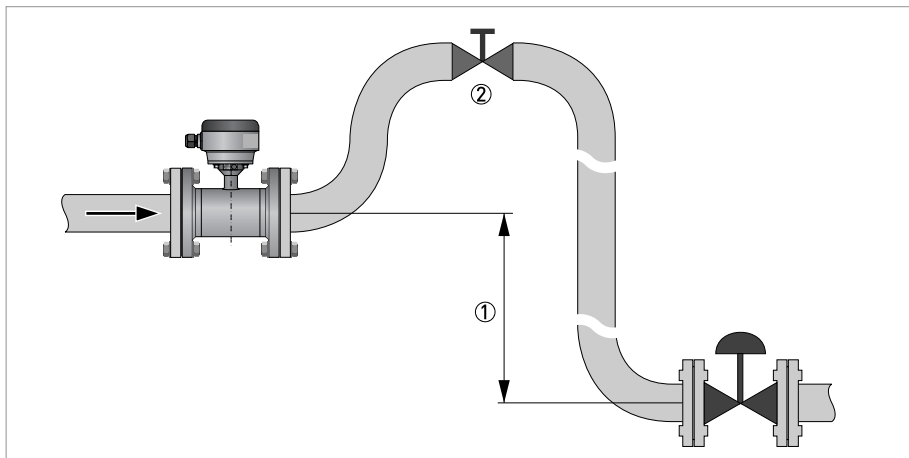


Figure 3-11: Air venting

- ①  $\geq 5$  m / 17 ft
- ② Air ventilation point

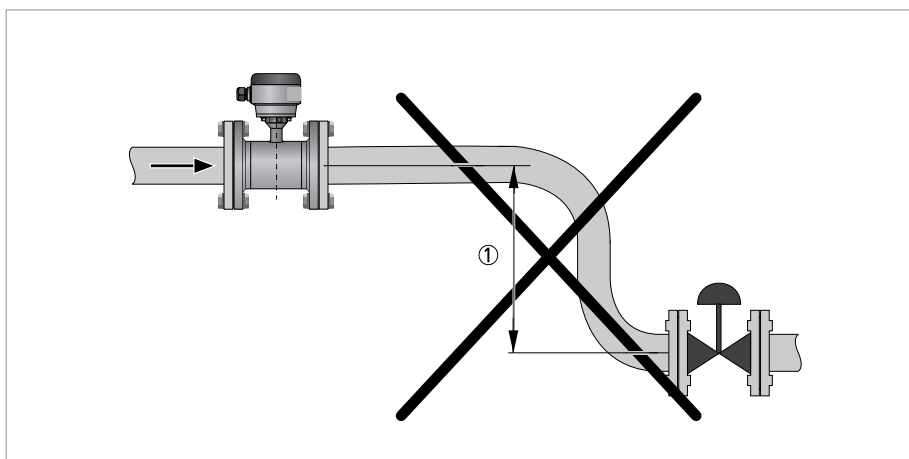


Figure 3-12: Vacuum

- ①  $\geq 5$  m / 17 ft

### 3.3.9 Flange deviation

Max. permissible deviation of pipe flange faces:  
 $L_{max} - L_{min} \leq 0.5 \text{ mm} / 0.02''$

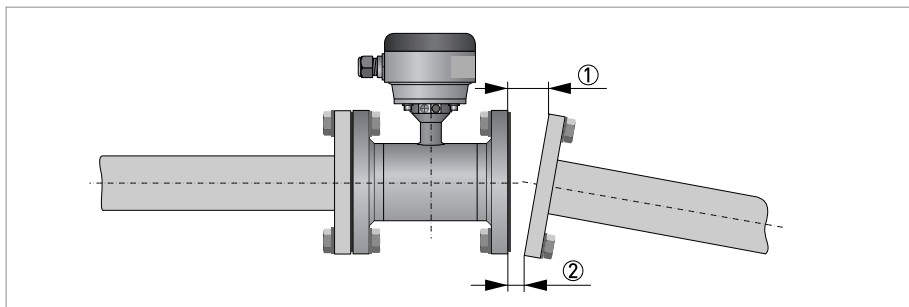


Figure 3-13: Flange deviation

- ①  $L_{max}$
- ②  $L_{min}$

### 3.3.10 Mounting position

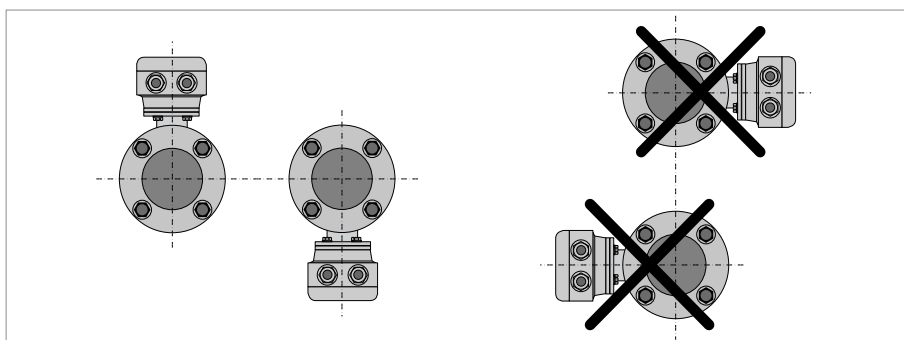


Figure 3-14: Mounting position

- Install the flow sensor with the signal converter aligned upwards or downwards.
- Install the flow sensor in line with the pipe axis.
- Pipe flange faces must be parallel to each other.

### 3.4 Installation in a metering pit and subsurface applications

The OPTIFLUX 2000 flow sensor is rated IP68, NEMA 6P and is suitable for temporary submersion in flooded measurement chambers. The flow sensor can withstand a 10 meter water column and can be installed (buried) underground also (optional coating for subsurface application).

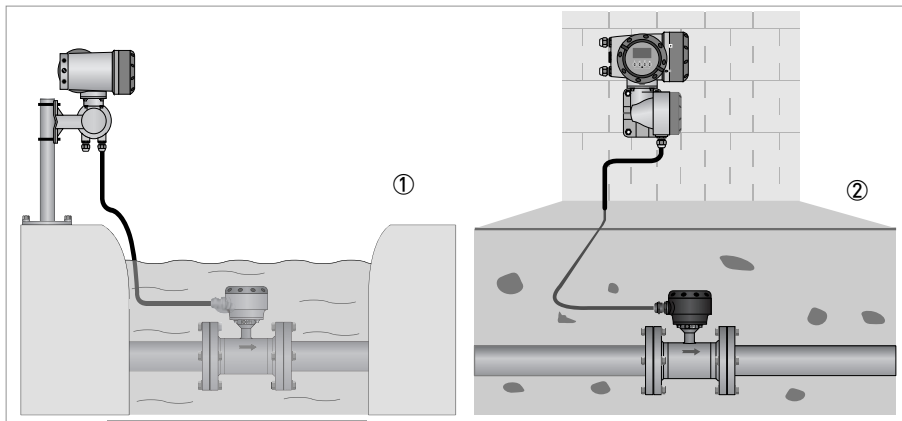


Figure 3-15: Examples of flooded and buried application

- ① Submersible
- ② Buried

The remote version of the IFC 050, IFC 100 and IFC 300 signal converters are IP66/67, NEMA 4/4X rated and can be installed in a dry area on the wall of the measuring pit for visual read out of the display.

#### Submersion applications

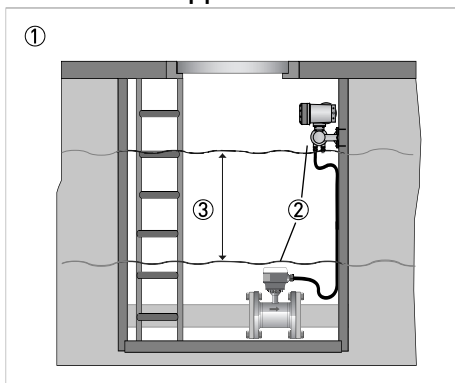


Figure 3-16: Examples of installation in measuring pit

- ① Temporary submersion
- ② Remote version
- ③ Maximum water column 10 meter / 33 ft

*It is recommended to place the cables in a protective tube. The standard IP 68 field version is available for special (customer installed) applications. Customer specified cables can be applied by the installer and connected according to IP68 with the separate delivered two-component resin. Contact Product Support KROHNE for more cable specifications.*

## 3.5 Mounting

*Please take care to use the proper gasket to prevent damaging the liner of the flowmeter. In general, the use of spiral wound gaskets is not advised, as it could severely damage the liner of the flowmeter.*

### 3.5.1 Torques and pressures

The maximum pressure and torques values for the flowmeter are theoretical and calculated for optimum conditions and use with carbon steel flanges.

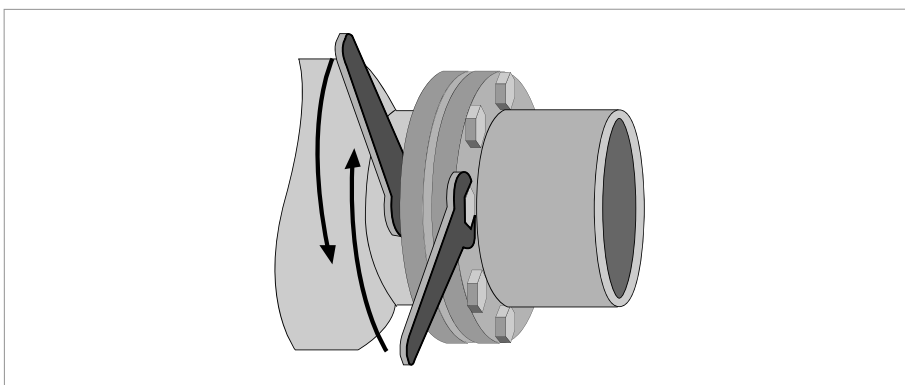


Figure 3-17: Tightening of bolts

#### Tightening of bolts

- Always tighten the bolts uniformly and in diagonally opposite sequence.
- Do not exceed the maximum torque value.
- Step 1: Apply approx. 50% of max. torque given in table.
- Step 2: Apply approx. 80% of max. torque given in table.
- Step 3: Apply 100% of max. torque given in table.

Nominal size DN [mm]	Pressure rating	Bolts	Max. torque [Nm] ①	
			Polypropylene	Hard rubber
25	PN 40	4 x M 12	22	11
32	PN 40	4 x M 16	37	19
40	PN 40	4 x M 16	43	25
50	PN 40	4 x M 16	55	31
65	PN 16	② x M 16	51	42
65	PN 40	8 x M 16	38	21
80	PN 40	8 x M 16	47	25
100	PN 16	8 x M 16	39	30
125	PN 16	8 x M 16	53	40
150	PN 16	8 x M 20	68	47
200	PN 10	8 x M 20	-	68
200	PN 16	12 x M 20	-	45
250	PN 10	12 x M 20	-	65
250	PN 16	12 x M 24	-	78
300	PN 10	12 x M 20	-	76
300	PN 16	12 x M 24	-	105
350	PN 10	16 x M 20	-	75
400	PN 10	16 x M 24	-	104
450	PN 10	20 x M 24	-	93
500	PN 10	20 x M 24	-	107
600	PN 10	20 x M 27	-	138
700	PN 10	24 x M 27	-	163
800	PN 10	24 x M 30	-	219
900	PN 10	28 x M 30	-	205
1000	PN 10	28 x M 33	-	261

① The specified torque values are dependent on variables (temperature, bolt material, gasket material, lubricants, etc.) which are not within the control of the manufacturer. Therefore the values should be regarded as indicative only.

② DN65 / PN16 is available with standard 8 bolt holes. On request 4 bolt holes is optional.

*Other sizes / pressure ratings on request.*

Nominal size [inch]	Flange class [lb]	Bolts	Max. torque [lbf.ft] <sup>①</sup>	
			Polypropylene	Hard rubber
1	150	4 x 1/2"	6.7	3.2
1 1/2	150	4 x 1/2"	13	9
2	150	4 x 5/8"	24	17
3	150	4 x 5/8"	43	29
4	150	8 x 5/8"	34	23
6	150	8 x 3/4"	61	38
8	150	8 x 3/4"	-	51
10	150	12 x 7/8"	-	58
12	150	12 x 7/8"	-	77
14	150	12 x 1"	-	69
16	150	16 x 1"	-	67
18	150	16 x 1 1/8"	-	105
20	150	20 x 1 1/8"	-	94
24	150	20 x 1 1/4"	-	133
28	150	28 x 1 1/4"	-	119
32	150	28 x 1 1/2"	-	191
36	150	32 x 1 1/2"	-	198
40	150	36 x 1 1/2"	-	198

- ① The specified torque values are dependent on variables (temperature, bolt material, gasket material, lubricants, etc.) which are not within the control of the manufacturer. Therefore the values should be regarded as indicative only.



Nominal size [inch]	Flange class [lb]	Bolts	Max. torque [lbf.ft] ①	
			Polypropylene	Hard rubber
1	300	4 x 5/8"	11	5
1 1/2	300	4 x 3/4"	29	20
2	300	8 x 5/8"	18	13
3	300	8 x 3/4"	44	30
4	300	8 x 3/4"	69	47
6	300	12 x 3/4"	62	38
8	300	12 x 7/8"	-	60
10	300	16 x 1"	-	75
12	300	16 x 1 1/8"	-	113
14	300	20 x 1 1/4"	-	71
16	300	20 x 1 1/4"	-	92
18	300	24 x 1 1/4"	-	108
20	300	24 x 1 1/4"	-	121
24	300	24 x 1 1/2"	-	189

① The specified torque values are dependent on variables (temperature, bolt material, gasket material, lubricants, etc.) which are not within the control of the manufacturer. Therefore the values should be regarded as indicative only.

*Other sizes / pressure ratings on request.*

- Pressures are applicable at 20°C / 68°F.
- For higher temperatures, the pressure ratings are as per ASME B16.5.

## 4.1 Safety instructions

*All work on the electrical connections may only be carried out with the power disconnected.  
Take note of the voltage data on the nameplate!*

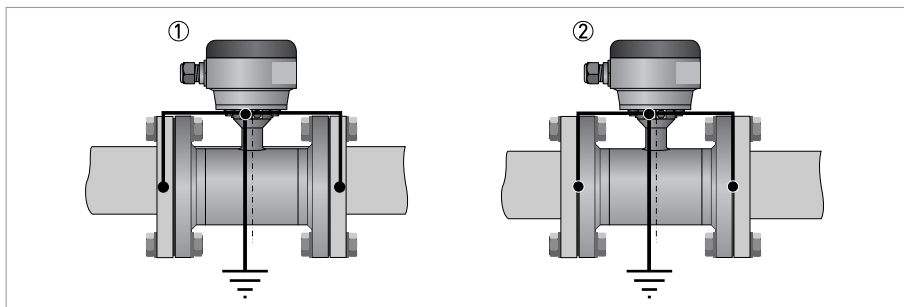
*Observe the national regulations for electrical installations!*

*Observe without fail the local occupational health and safety regulations.  
Any work done on the electrical components of the measuring device may only be carried out by  
properly trained specialists.*

*Look at the device nameplate to ensure that the device is delivered according to your order.  
Check for the correct supply voltage printed on the nameplate.*

## 4.2 Grounding

*The device must be grounded in accordance with regulations in order to protect personnel  
against electric shocks.*



**Figure 4-1: Grounding**

- ① Metal pipelines, not internally coated. Grounding without grounding rings!
- ② Metal pipelines with internal coating and non-conductive pipelines. Grounding with grounding rings!

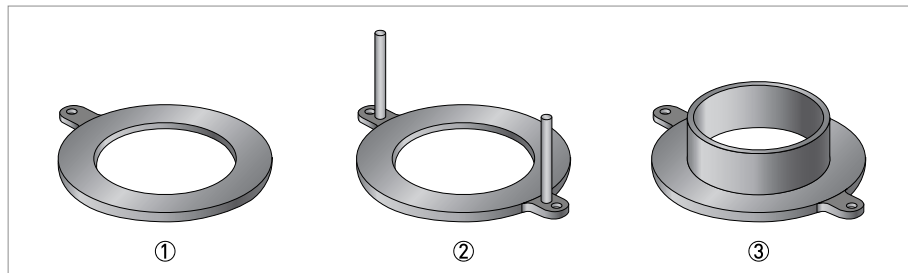


Figure 4-2: Different types of grounding rings

- ① Grounding ring number 1
- ② Grounding ring number 2
- ③ Grounding ring number 3

#### Grounding ring number 1:

- $\leq$  DN300 / 12": 3 mm / 0.12"
- $\geq$  DN350 / 14": 4 mm / 0.16"  
(tantalum: 0.5 mm / 0.02")

#### Grounding ring number 2:

- $\leq$  DN300 / 12": 3 mm / 0.12"
- $\geq$  DN350 / 14": 4 mm / 0.16"
- Prevents damage to the flanges during transport and installation
- Especially for flow sensors with PTFE liner

#### Grounding ring number 3:

- $\leq$  DN300 / 12": 3 mm / 0.12"
- $\geq$  DN350 / 14": 4 mm / 0.16"
- With cylindrical neck (length 30 mm / 1.25" for ...150 / 3/8...6")
- Offers liner protection against abrasive fluids

### 4.3 Virtual reference option

for:  
- IFC 300 (C, W and F version)

**Benefits of virtual reference:**

- Grounding rings or grounding electrodes can be omitted.
- Safety increases by reducing the number of potential leakage points.
- The installation of the flowmeters is much easier.

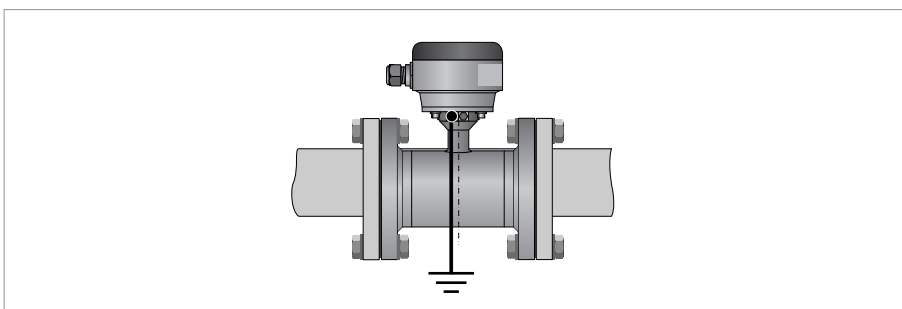


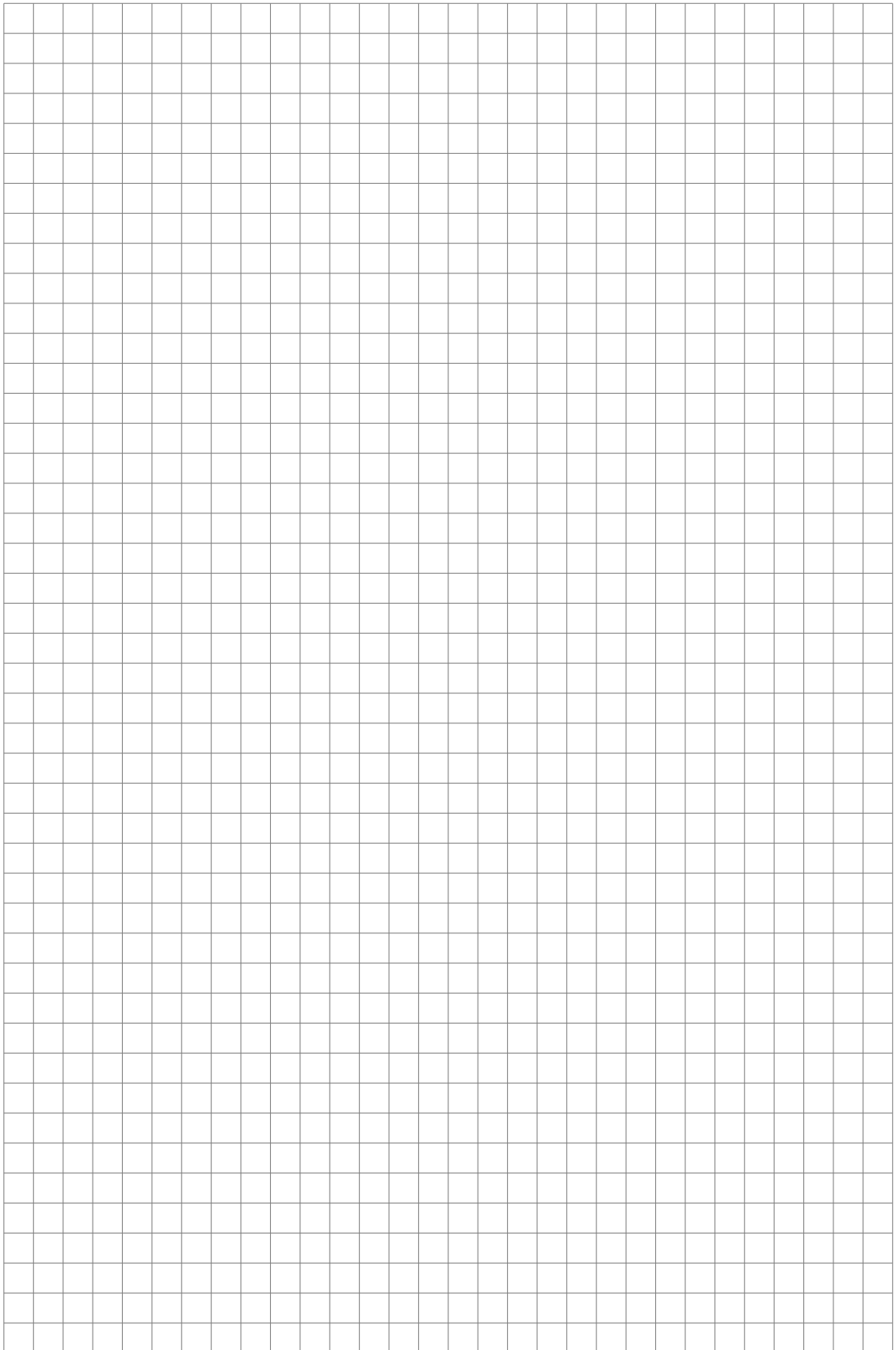
Figure 4-3: Virtual reference

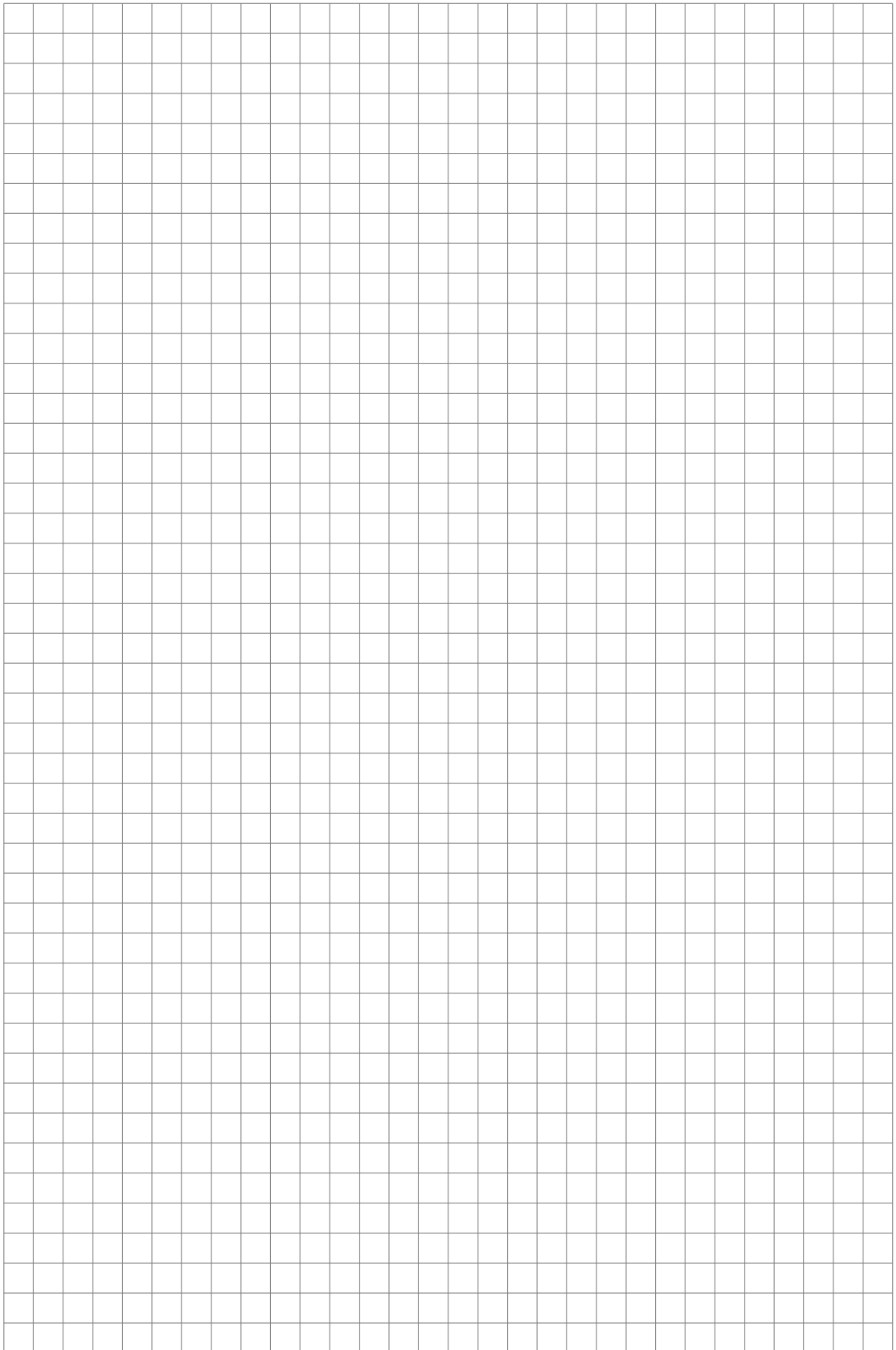
**Minimum requirements:**

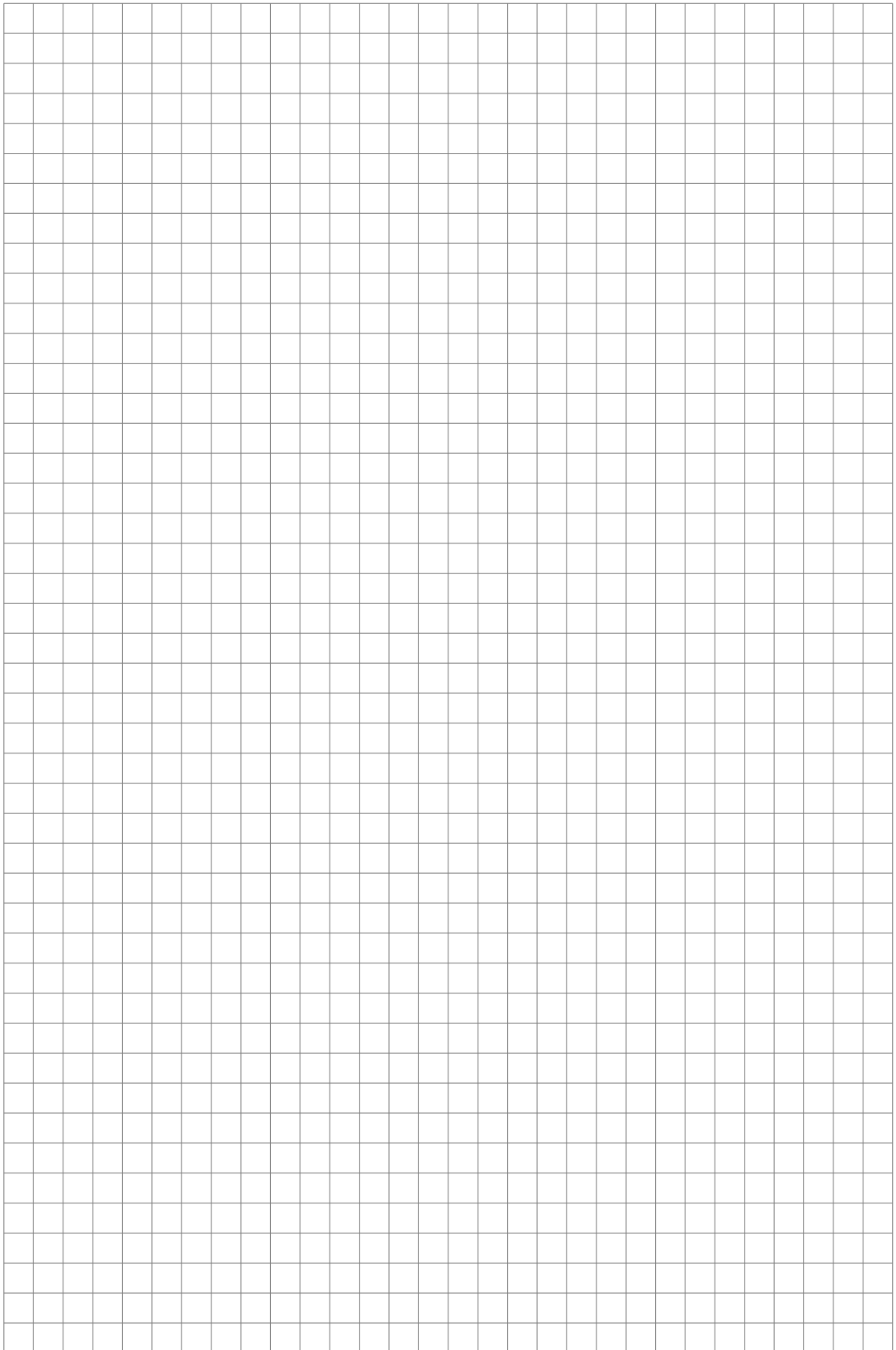
- Size:  $\geq$  DN10 / 3/8"
- Electrical conductivity:  $\geq$  200  $\mu$ S/cm
- Signal cable: max. 50 m / 164 ft, type DS

### 4.4 Connection diagrams

*For the connection diagrams and more information on the connection of the flow sensor, please refer to the documentation of the applicable signal converter.*







## **KROHNE – Products, Solutions and Services**

- Process instrumentation for flow, level, temperature, pressure measurement and process analytics
- Flow metering, monitoring, wireless and remote metering solutions
- Engineering, commissioning, calibration, maintenance and training services

Head Office KROHNE Messtechnik GmbH  
Ludwig-Krohne-Str. 5  
47058 Duisburg (Germany)  
Tel.: +49 203 301 0  
Fax: +49 203 301 10389  
info@krohne.de

The current list of all KROHNE contacts and addresses can be found at:  
[www.krohne.com](http://www.krohne.com)

