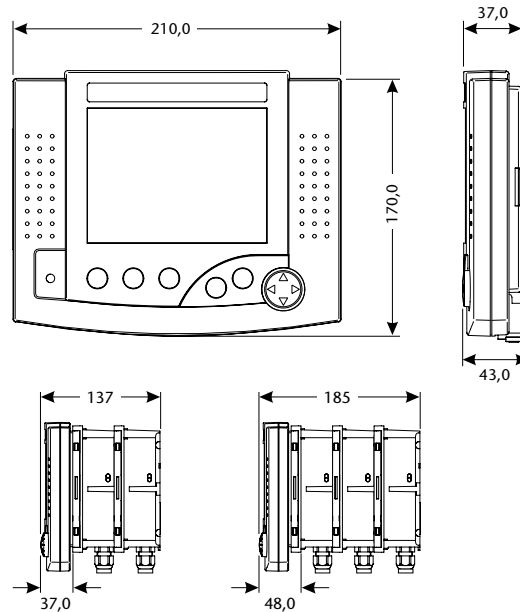


# IQ SENSOR NET Terminal/Controller MIQ/TC 2020 3G



The heart of every IQ SENSOR NET system 2020 - multi-parameter system for up to 20 sensors with USB interface, remote maintenance and remote communication

We would like to inform you about the application range on our website



## Technical Data

<b>Model</b>	<b>Terminal/Controller MIQ/TC 2020 3G</b>
<b>MIQ Module Coupling at Rear</b>	Combined mechanical and electrical connection, for rapid coupling to MIQ modules
<b>USB interface</b>	USB-A (host)
<b>Display</b>	Graphic display; resolution: 320 x 240 pixel; visible area: 4.49 x 3.39 in. (114 x 86 mm), black/white, backlight
<b>Control Functions/Function Keys</b>	5 operating keys: 3 master keys for functions: Measurement (M), calibration (C), set/system settings (S), 2 keys for: confirmation/switching menu O.K. (OK), Escape (ESC) 4-directional button for rapid selection of software functions and input of alphanumeric values
<b>Datalogger</b>	Data memory for up to 525,600 data sets
<b>Electric Supply</b>	Directly via the IQ SENSOR NET when coupled to MIQ module
<b>Ambient Conditions</b>	Operating temperature: -4 °F ... 131 °F (-20 °C ... +55 °C) Storage temperature: -13 °F ... 149 °F (-25 °C ... +65 °C)
<b>Housing Material</b>	ASA (Acrylonitrile-Styrene-Acryloesterpolymer)
<b>Protection Rating</b>	IP 66 / corresponding to NEMA 4X (not for direct conduit connections). Conduits need to be connected with flexible adapters (CC-Box), respectively with adapters CC-PM..
<b>Dimensions (W x H x D)</b>	8.27 x 6.69 x 1.57 in. (210 x 170 x 40 mm)
<b>Weight</b>	Approx. 1.98 pounds (0.9 kg)
<b>Certifications</b>	ETL, cETL (conforms with relevant UL and Canadian standards), CE
<b>Electromagnetic Compatibility</b>	EN 61326-1, Class B; FCC Class A
<b>Integrated Overvoltage Protection</b>	According to EN 61326-1 enhanced overvoltage protection for the entire system, implemented in each component
<b>Connection Characteristics</b>	Comprehensive EMC shield control; cable topology within IQ SENSOR NET system as required, e.g. in the form of a line, tree, star, multiple star; Total cable length: max. 1000 m/1094 yds (without signal amplifying), with signal amplifying module MIQ/JBR additional 1000 m/1094 yds (max 3000 m/3282 yds)
<b>Warranty</b>	3 years for defects of quality

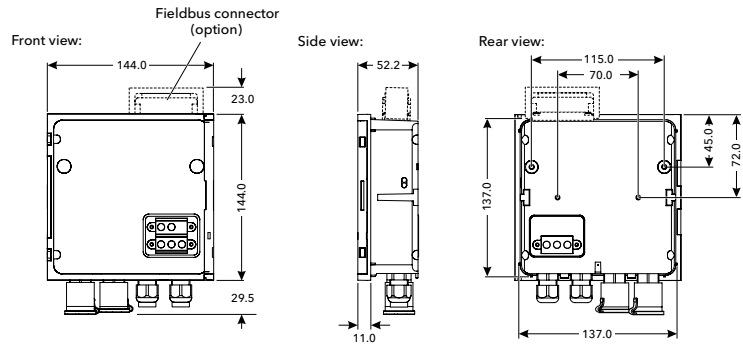
Model	Description	Order No.
<b>MIQ/TC 2020 3G</b>	Module IQ terminal/controller, configurable as a controller (fixed installation) or as a terminal with redundant controller function for system 2020, with USB interface, can be coupled to any IQ SENSOR NET module	470020
<b>MIQ/TC 2020 3G-CR3</b>	Starter set consisting of MIQ/TC 2020 3G terminal/controller, MIQ/CR3 combined output module with 3 analog outputs (0/4-20 mA) and 3 relay outputs, MIQ/PS wide range power supply	470022
<b>MIQ/TC 2020 3G-C6</b>	Starter set consisting of MIQ/TC 2020 3G terminal/controller, MIQ/C6 output module with 6 analog outputs (0/4-20 mA), MIQ/PS wide range power supply	470024
<b>MIQ/TC 2020 3G-EF</b>	Starter set consisting of MIQ/TC 2020 3G terminal/controller, MIQ/MC3 controller with fieldbus protocols, MIQ/PS wide range power supply	470026



# IQ SENSOR NET Controller MIQ/MC3

The controller family with network connection via ethernet/WIFI interface for the multi-parameter system IQ SENSOR NET 2020 for up to 20 sensors

We would like to inform you about the application range on our website



## Technical Data

<b>Model</b>	<b>Controller MIQ/MC3</b>
<b>MIQ Module Coupling at Front</b>	Combined mechanical and electrical connection for rapid docking and removal of the MIQ/TC 2020 3G Terminal/Controller (configured as Terminal) and for docking additional modules
<b>MIQ Module Coupling at Rear</b>	Combined mechanical and electrical connection, for rapid coupling to MIQ modules, up to 3 modules as a stack mounted unit possible
<b>Cable Feeds</b>	2 screw cable glands M 16 x 1.5
<b>Terminal Connections</b>	Screw terminal strips Terminal area for solid conductors: 0.2 ... 4.0 mm <sup>2</sup> Terminal area for flexible conductors: 0.2 ... 2.5 mm <sup>2</sup> accessible by opening cover
<b>IQ SENSOR NET Terminal Connections</b>	Terminal connections for the IQ SENSOR NET are available on each module and can be used as required: - for connecting sensors - as an input/output or for looping through/branching of the IQ SENSOR NET cable
<b>Other Functions</b>	Two LEDs, yellow and red, for monitoring the operating voltage of the IQ SENSOR NET; IQ SENSOR NET connection, Integrated local identity function; Integrated switchable terminal resistor (SN terminator)
<b>USB interface</b>	USB-A
<b>Ethernet port</b>	RJ45 socket or LSA terminal strip can be used
<b>Datalogger</b>	Data memory for up to 525.600 data sets
<b>Electric Supply</b>	Directly via the IQ SENSOR NET when coupled to MIQ module
<b>Ambient Conditions</b>	Operating temperature: -4 °F ... 131 °F (-20 °C ... +55 °C); Storage temperature: -13 °F ... 149 °F (-25 °C ... +65 °C)
<b>Housing Material</b>	ASA (Acrylonitrile-Styrene-Acryloesterpolymer)
<b>Protection Rating</b>	IP 66 / corresponding to NEMA 4X (not for direct conduit connections). Conduits need to be connected with flexible adapters (CC-Box), respectively with adapters CC-PM..
<b>Dimensions (W x H x D)</b>	5.67 x 6.81 x 2.05 in. (144 x 173 x 52 mm)
<b>Weight</b>	Approx. 1.98 pounds (0.9 kg)
<b>Certifications</b>	ETL, cETL (conforms with relevant UL and Canadian standards), CE
<b>Electromagnetic Compatibility</b>	EN 61326-1, Class B; FCC Class A
<b>Integrated Overvoltage Protection</b>	According to EN 61326-1 enhanced overvoltage protection for the entire system, implemented in each component
<b>Connection Medium Cable</b>	IQ SENSOR NET cable SNCIQ or SNCIQ/UG (underground cable with additional PVC coating): 2-wire with shield; 2 x 0.75 mm <sup>2</sup> ; Filler cord for easy connection of shield: 0.75 mm <sup>2</sup> ; pressure resistant to 10 bar
<b>Connection Characteristics</b>	Energy and data transfer via 2 wire technique; resistant to reversed polarity; Comprehensive EMC shield control; cable topology within IQ SENSOR NET system as required, e.g. in the form of a line, tree, star, multiple star; Total cable length: max. 1000 m/1094 yds (without signal amplifying), with signal amplifying module MIQ/JBR additional 1000 m/1094 yds (max 3000 m/3282 yds)
<b>Warranty</b>	3 years for defects of quality

Model	Description	Order No.
<b>MIQ/MC3</b>	Controller of the system 2020, for up to 20 sensors, with automatic air pressure compensation, USB and RJ45 interface (ethernet)	471020
<b>MIQ/MC3-MOD</b>	Like MIQ/MC3, but including MODBUS RTU/RS 485 interface (D-SUB plug connection ADA/D-SUB 902888, please order separately)	471022
<b>MIQ/MC3-PR</b>	Like MIQ/MC3, but including PROFIBUS-DP/RS 485 interface (D-SUB plug connection ADA/D-SUB 902888, please order separately)	471023



**Xylem Analytics Germany Sales GmbH & Co. KG, WTW**

Dr.-Karl-Slevogt-Straße 1 · D-82362 Weilheim · Germany · Phone: +49 881 1830 · Fax: +49 881 183-420 · Info.WTW@xyleminc.com

All names are registered tradenames or trademarks of Xylem Inc. or one of its subsidiaries. Technical changes reserved.

© 2017 Xylem Analytics Germany Sales GmbH & Co. KG.

999208US

**www.WTW.com**

July 2018