

*Norbro
J Switch*



Standard Product Code

*** * - RK0ES - 1S * * - * * ***

NORBRO ACTUATOR SIZE

CABLE ENTRY

SWITCH CODE

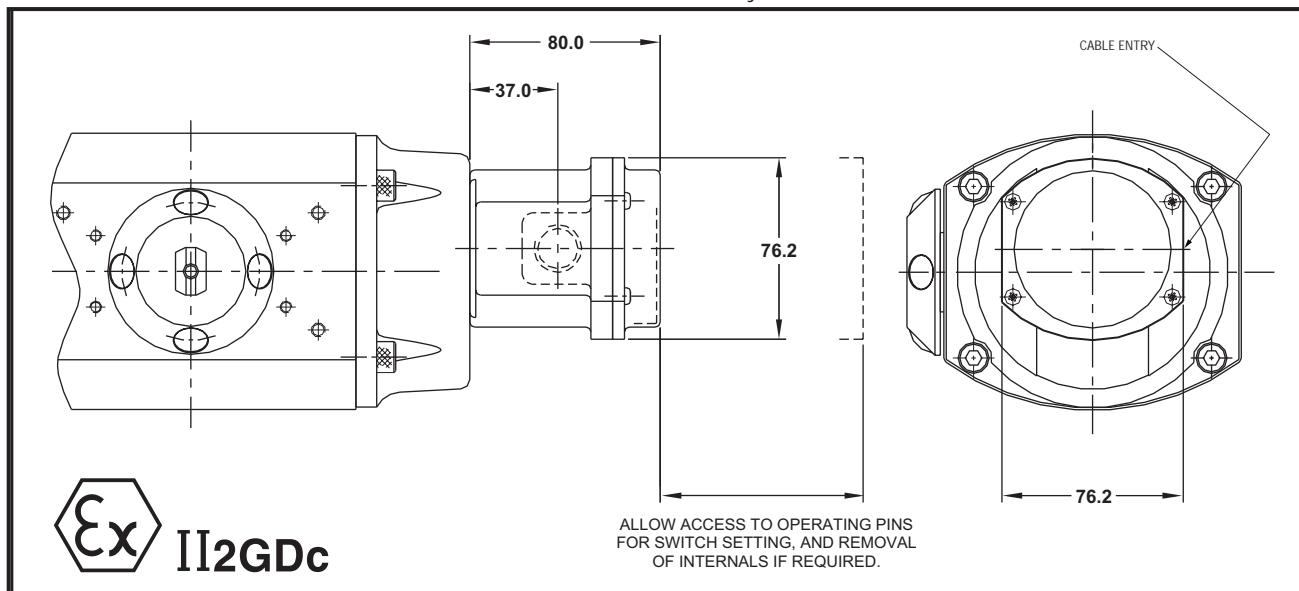
For alternative switches please contact technical sales.

Switch Code	Switch Type	Manufacturer Reference	ATEX Approved	Hazardous Certification
P&F	Inductive Proximity Sensor	Pepperl & Fuchs NJ2-V3-N	Yes	EEx ia
X23	SPDT Explosion Proof	Honeywell 91SE1-3	Yes	Ex N/d II
X26	SPDT Gold Contact Explosion Proof	Honeywell 91SE1-2N50	Yes	Ex N/d II
X29	SPDT Gold Contact	Otehall 382/25/10G ZDSO	No	N/A
X65	SPDT Gold Contact	Otehall 382/25/10G ZDSO	Yes	EEx ia*
X66	SPDT Explosion Proof	Burgess E1V3C-ATEX	Yes	EEx d

* The X65 used with a safety barrier, is suitable for use within an intrinsically safe application.

Cable Entry	Specification
J4	M20 x 1.5p
J5	½" NPT

- Guaranteed operation, directly from Actuators internal guide rod/piston
- Factory assembled and tested Actuator/J Switch package
- IP66 rated enclosure
- Direct mounting (no bracketry) with top face of actuator free for other attachments.
- Robust construction
- Proven Norbro quality and reliability, in use for over 40 years



FCD NBEBR0001-02 Printed in Germany. (Replaces PB90 Rev 06/04)

Due to continuous development of our product range, we reserve the right to alter the dimensions and information contained in this leaflet as required. Information given in this leaflet is made in good faith and based upon specific testing but does not, however, constitute a guarantee.

Flowserve Flow Control (UK) Ltd.
 Worcester Controls
 Burrell Road, Haywards Heath
 West Sussex RH16 1TL
 United Kingdom
 Telephone: +44 (0)1444 314400
 Telefax: +44 (0)1444 314401
 Email: wvukinfo@flowserve.com