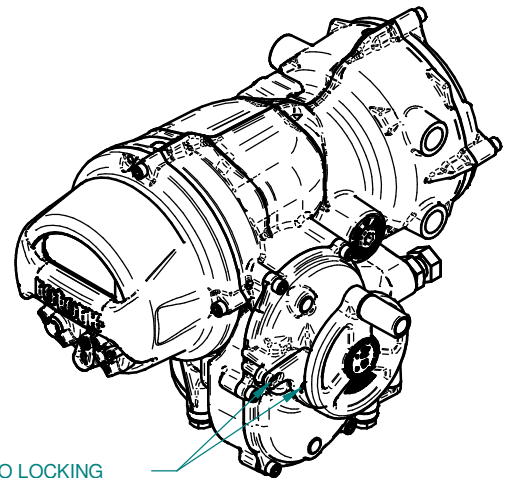
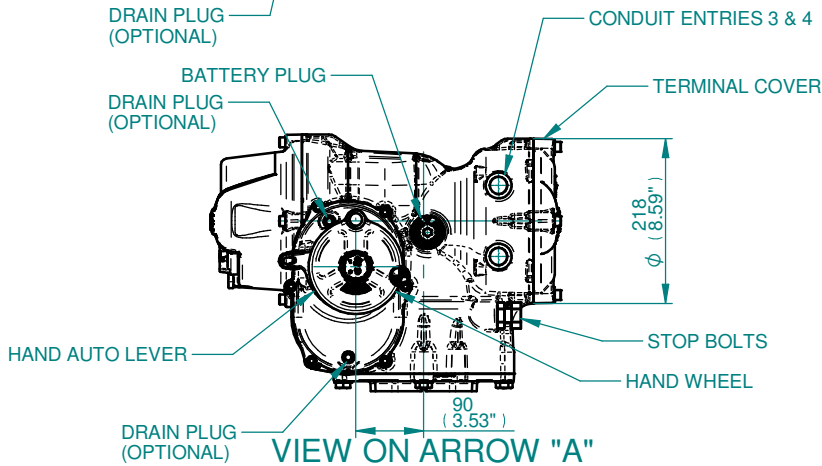
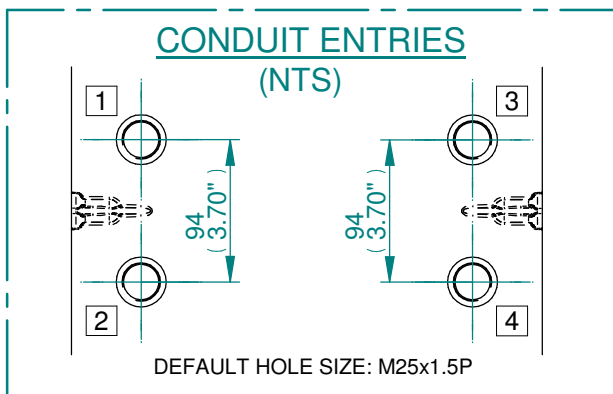


← "A"

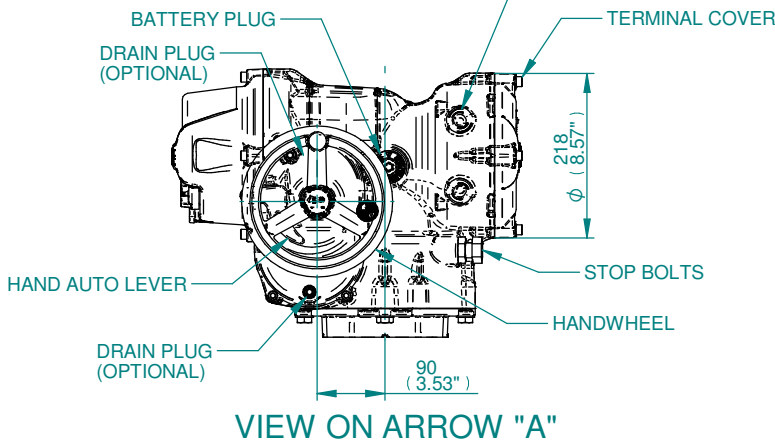
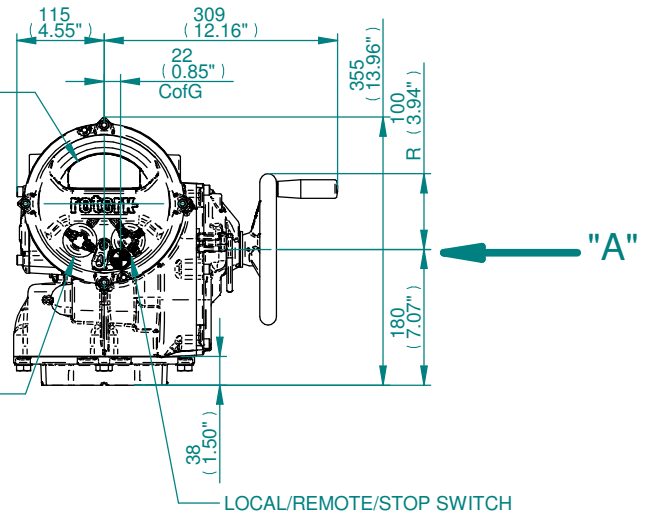
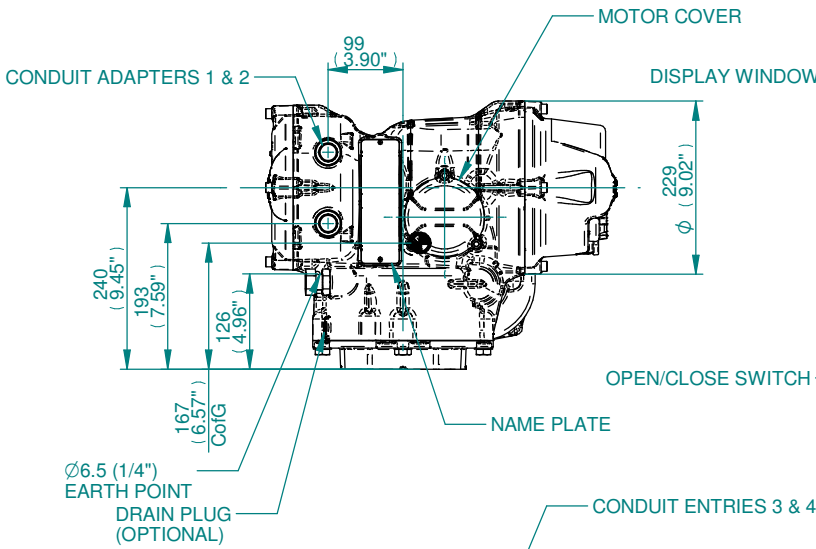
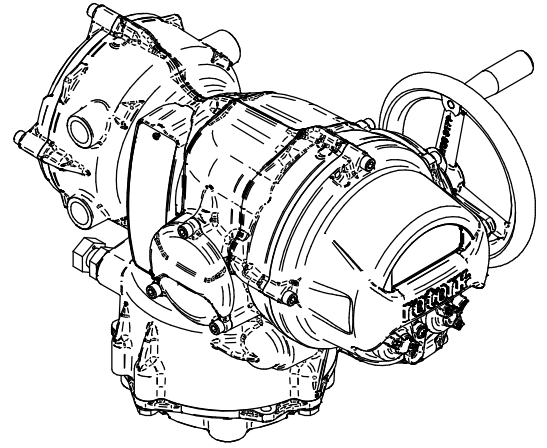
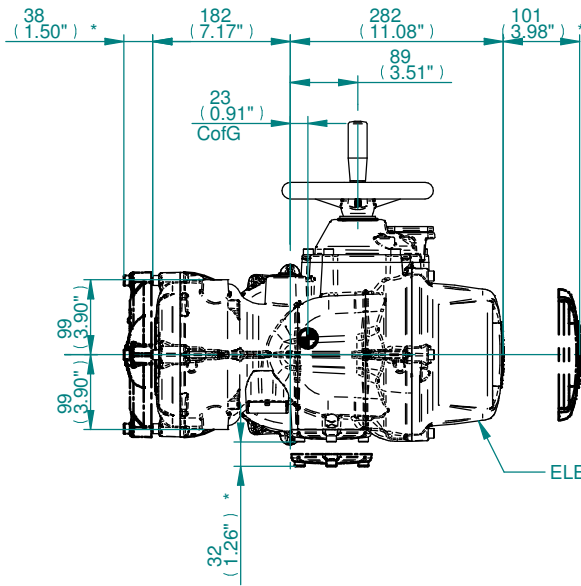


HAND / AUTO LOCKING BOLT HOLES FOR Ø8mm HASP PADLOCK

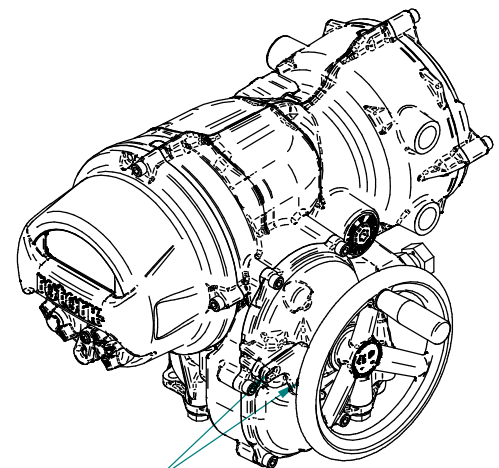


DEFAULT HOLE SIZE: M25x1.5P

NOTE
*** REMOVAL ALLOWANCE REQUIRED.

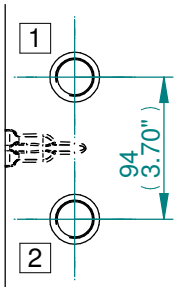


VIEW ON ARROW "A"



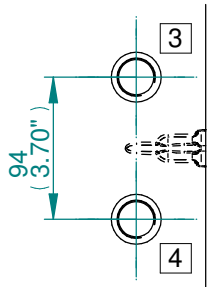
HAND / AUTO LOCKING BOLT HOLES FOR Ø8mm ASP PADLOCK

CONDUIT ENTRIES (NTS)



DEFAULT HOLE SIZE: M25x1.5P

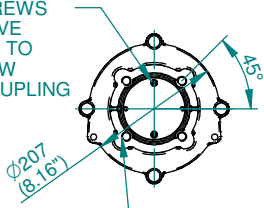
CONDUIT ENTRIES (NTS)



DEFAULT HOLE SIZE: M25x1.5P

NOTE
"*" REMOVAL ALLOWANCE REQUIRED.

2 CAPSCREWS
M6 REMOVE
IN ORDER TO
WITHDRAW
DRIVE COUPLING

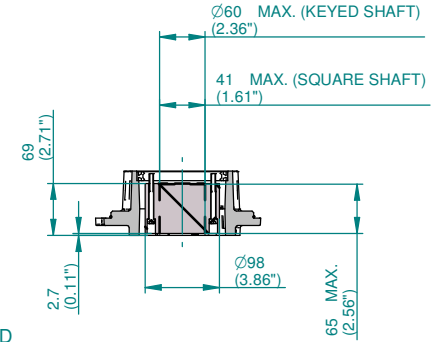


4 HOLES M12x1.75p x 22 DP
EQUI-SPACED ON A 125 PCD
(ISO 5211 F12)

2 CAPSCREWS
M6 REMOVE
IN ORDER TO
WITHDRAW
DRIVE COUPLING



4 HOLES 1/2"-13UNC x 22 DP
EQUI-SPACED ON A 4.95" PCD
(MSS SP-101 FA12)

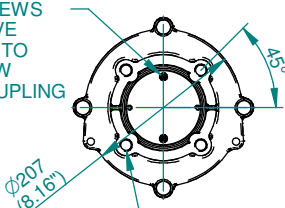


F12 BASE DETAILS

FA12 BASE DETAILS

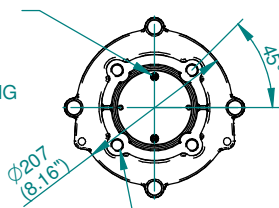
COUPLING DETAILS
(F12/FA12)

2 CAPSCREWS
M6 REMOVE
IN ORDER TO
WITHDRAW
DRIVE COUPLING

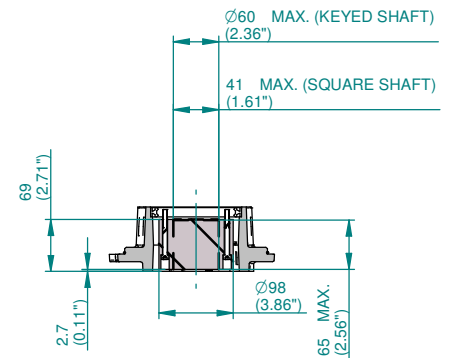


4 HOLES M16x2.0p x 22 DP
EQUI-SPACED ON A 140 PCD
(ISO 5211 F14)

2 CAPSCREWS
M6 REMOVE
IN ORDER TO
WITHDRAW
DRIVE COUPLING



4 HOLES 5/8"-11UNC x 22 DP
EQUI-SPACED ON A 5.5" PCD
(MSS SP-101 FA14)

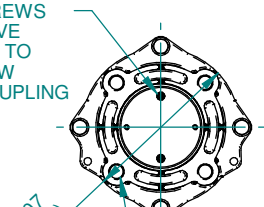


F14 BASE DETAILS

FA14 BASE DETAILS

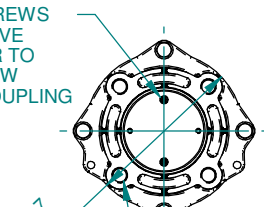
COUPLING DETAILS
(F14/FA14)

2 CAPSCREWS
M6 REMOVE
IN ORDER TO
WITHDRAW
DRIVE COUPLING

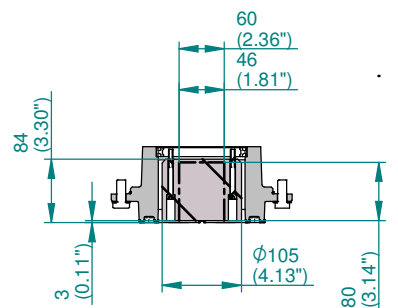


4 HOLES M20x2.5p x 22 DP
EQUI-SPACED ON A 165 PCD
(ISO 5211 F16)

2 CAPSCREWS
M6 REMOVE
IN ORDER TO
WITHDRAW
DRIVE COUPLING



4 HOLES 3/4" UNC x 22 DP
EQUI-SPACED ON A 165
PCD (MSS SP-102 FA16)



F16 BASE DETAILS

FA16 BASE DETAILS

COUPLING DETAILS
(F16/FA16)

Title

DIMENSIONAL DATA SHEET FOR F12/FA12, F14/FA14
& F16/FA16 BASE & COUPLING OPTIONS

Date

070219

A4

Doc Number

IQT3-2-STD

Ver No

6

Scale

1:10

Sheet No

3 of 3